

S3006P S3008P S3010P PARTS MANUAL (PUSH 6/8/10)

GENERAL INFORMATION

GENERAL INFORMATION	1-1
---------------------------	-----

REPAIR PARTS

CHASSIS	2-1
TRAY	2-2
TRAY WIRING HARNESS (before SN PUSH10-01-xxxx002546,PUSH8-01-xxxx000419,PUSH6-01-xxxx00095)	2-3
TRAY WIRING HARNESS (AFTER SN PUSH10-01-xxxx002547,PUSH8-01-xxxx000420,PUSH6-01-xxxx00096)	2-4
POWER PACK BEFORE SN PUSH10-01-000610,PUSH8-01-000854,PUSH6-01-00519)	2-5
POWER PACK (AFTER SN PUSH10-01-000611, PUSH8-01-000855, PUSH6-01-00520 TO PUSH10-01-XXXX002546,PUSH8-01-XXXX0000419,PUSH6-01-XXXX00095)	2-6
POWER PACK 515840-000 (AFTER SN PUSH10-01-xxxx002547,PUSH8-01-xxxx000420,PUSH6-01-xxxx00096)	2-7
LIFT CYLINDER	2-8
SCISSOR STACK – S3006P, S3008P, S3010P	2-9
ADDITIONAL FIXINGS LIST	2-10
SCISSOR STACK WIRING HARNESS	2-11
PLATFORM CE	2-12
PLATFORM AUS - TO SERIAL No. PUSH6(N/A), PUSH8-01-000635, PUSH10-01-000311	2-13
PLATFORM AUS - FROM SERIAL No. PUSH6(N/A), PUSH8-01-000636, PUSH10-01-000312, S3006P(N/A), S3008P-01-XXXX0231, S3010P-01-XXXX00559	2-14
PLATFORM MOUNTING	2-15
UPPER CONTROL BOX	2-16
UPPER CONTROL BOX WIRING HARNESS	2-17
PLACARDS & DECALS	2-18
ELECTRICAL SCHEMATIC	2-19
HYDRAULIC SCHEMATIC	2-20
A	A
B	B

snorkel

S3006P

S3008P

S3010P



PARTS MANUAL

S3006P sn: 01-000500+

S3008P sn: 01-000800+

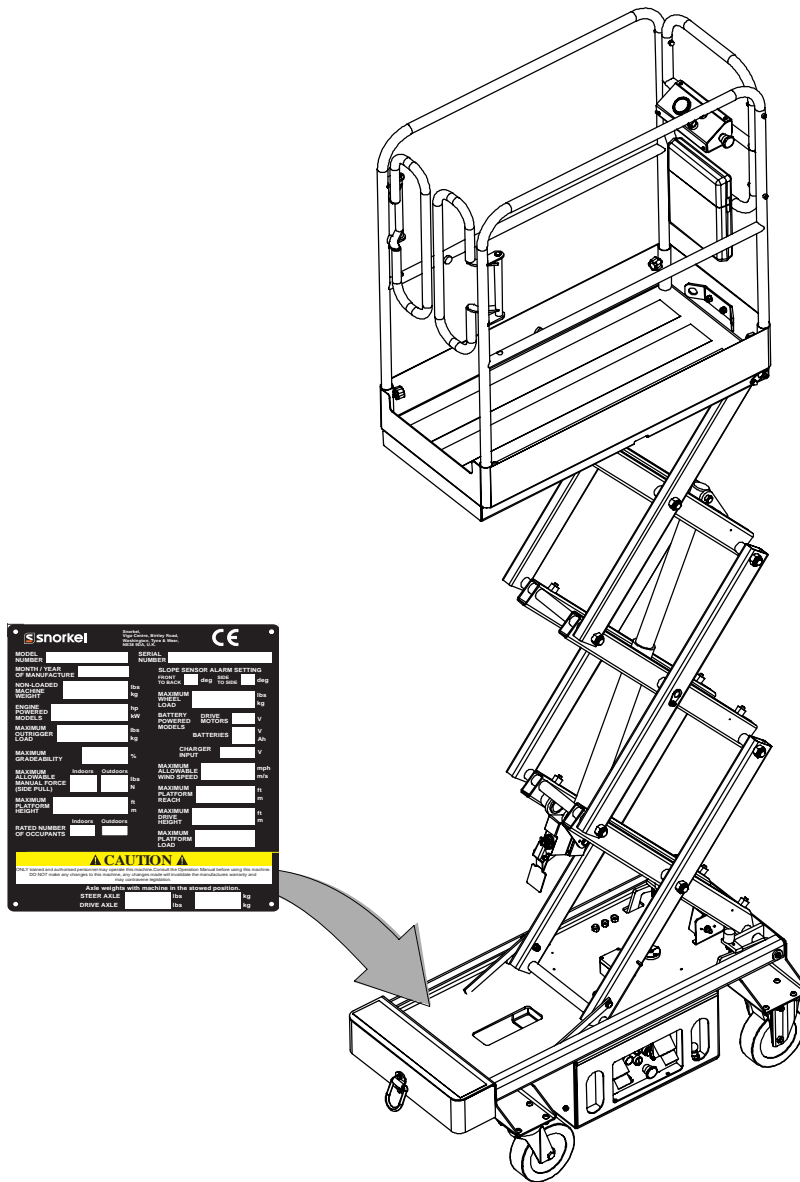
S3010P sn: 01-000500+

Part Number 514690-200

April 2015

S3006P,S3008P,S3010P

When contacting for service or parts information be sure to include the model and serial numbers from the equipment nameplate.



DANGER

The aerial platform is not electrically insulated. Death or serious injury will result from contact with, or inadequate clearance from, an energized conductor.

Do not go closer than the Minimum Safe Approach Distance as defined by ANSI standards.

Regard all conductors as energized.

Allow for electrical wire sag and aerial platform sway.

If the platform, scissors structure, or any part of the aerial platform contacts a high-voltage electrical conductor, the entire machine can become electrically charged.

If that happens, remain on the machine and do not contact any other structure or object. This includes the ground, adjacent buildings, poles, and any other objects that are not part of the aerial platform.

Such contact could make your body a conductor to the other object, creating an electrical shock hazard resulting in death or serious injury.

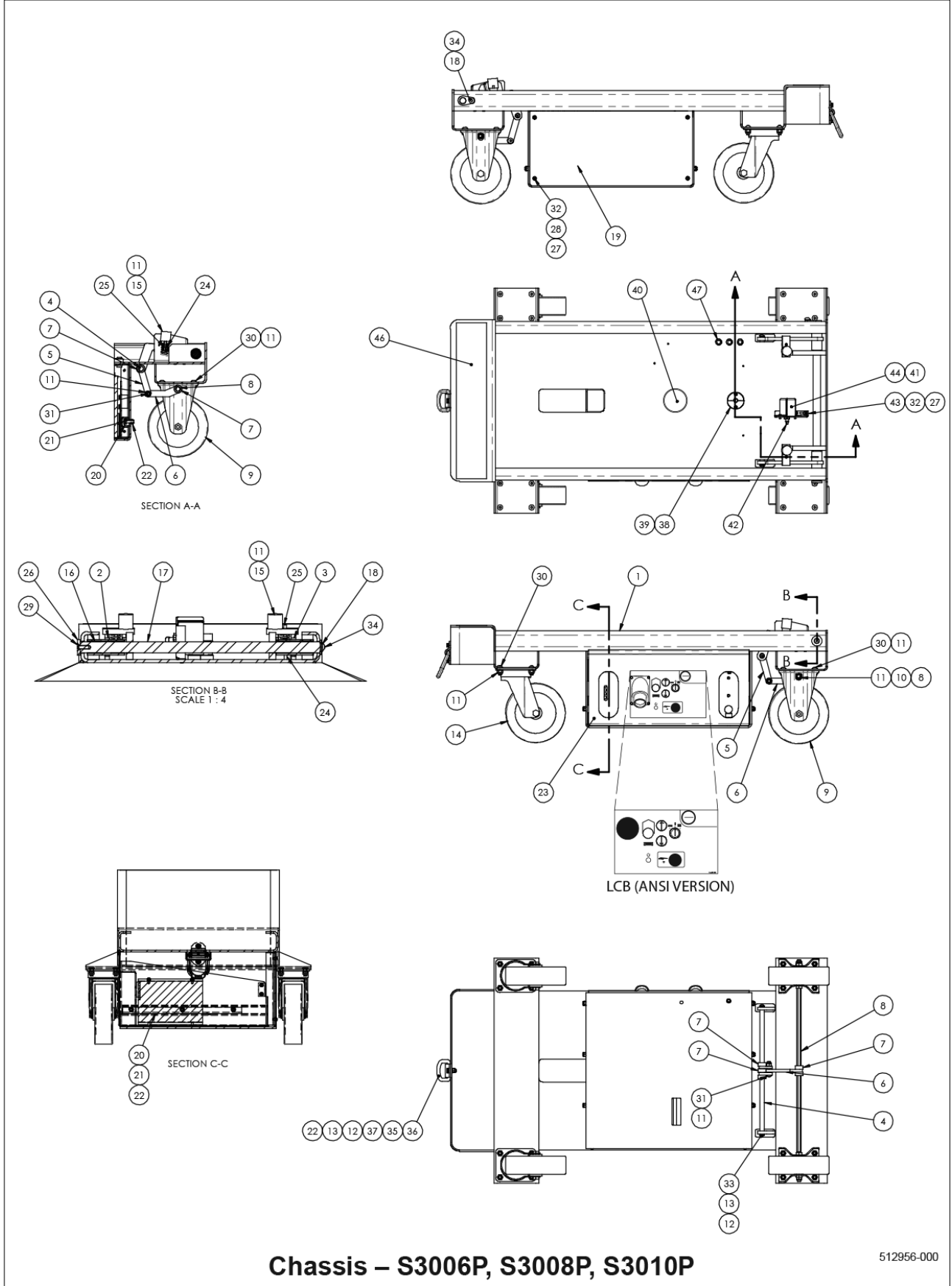
If an aerial platform is in contact with an energized conductor the platform operator must warn ground personnel in the vicinity to stay away. Their bodies can conduct electricity creating an electrical shock hazard resulting in death or serious injury.

Do not approach or leave the aerial platform until the electricity has been turned off.

Do not attempt to operate the lower controls when the platform, boom structure, or any part of the aerial platform is in contact with a high-voltage electrical conductor or if there is an immediate danger of such contact.

Personnel on or near an aerial platform must be continuously aware of electrical hazards, recognizing that death or serious injury can result from contact with an energized conductor.

REPAIR PARTS



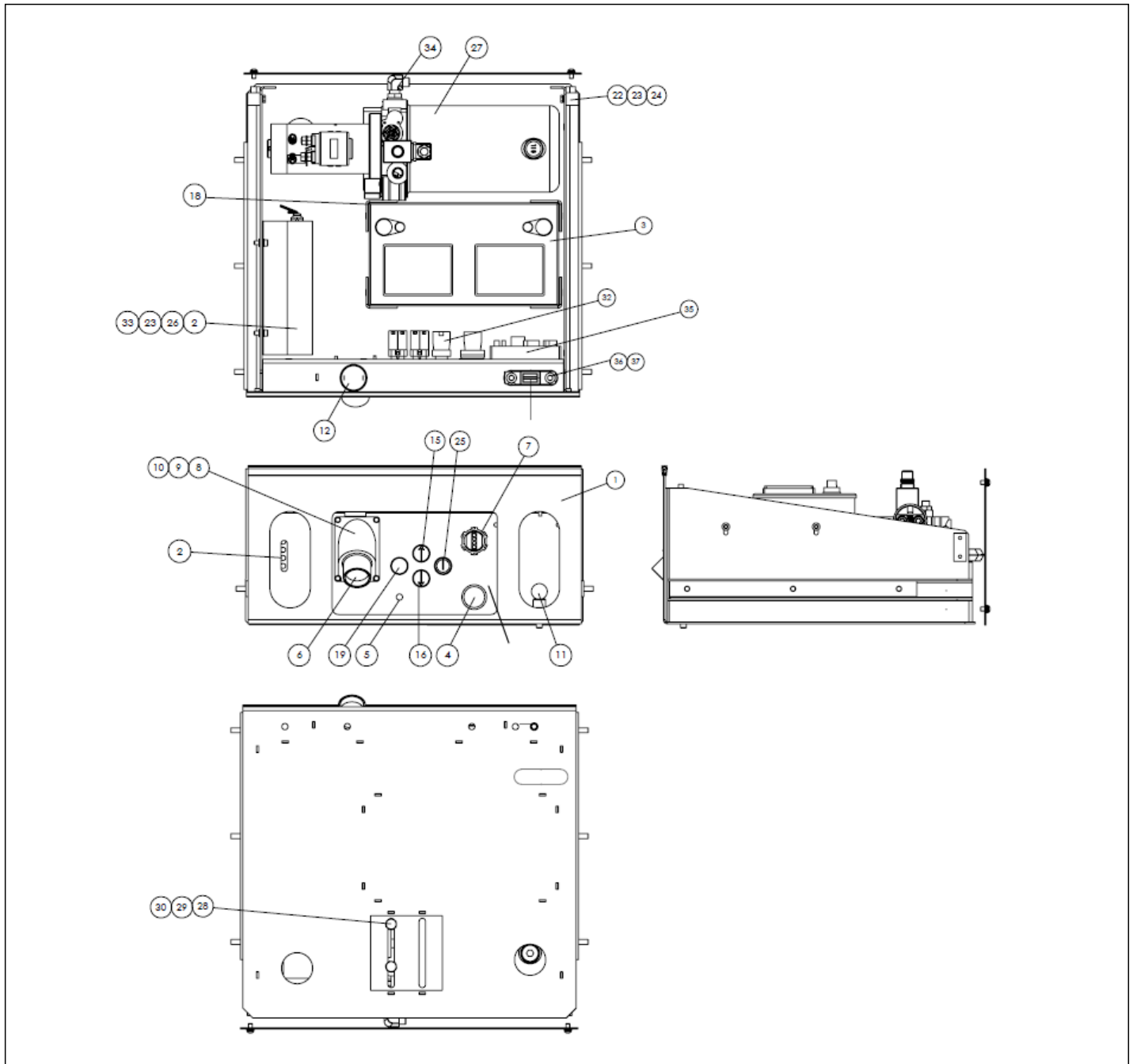
Chassis – S3006P, S3008P, S3010P

512956-000

アイテム	部品番号	名前	数量	UOM
Not Shown	512956 000	CHASSIS	1	EA
1	514417 000	BASE WELDMENT	1	EA
2	0120675	ARM WELDMENT	1	EA
3	0120676	ARM WELDMENT	1	EA
4	0120671	PIN	1	EA
5	0120667	LINK	2	EA
6	0120668	LINK	1	EA
7	5554375	COLLAR SHAFT 15MM	5	EA
8	0120670	BAR HEX	1	EA
9	0120664	WHEEL ASSY FIXED CASTOR	2	EA
10	5560364	WSHR FLAT 10	4	EA
11	5560719	NUT HEX LKG M 10 1.50 GR 8.8	21	EA
12	5560613	WASHER FLAT M8	2	EA
13	5560355	WSHR LOCK M8	2	EA
14	0120663	WHEEL ASSY SWIVEL CASTOR	2	EA
15	513242 000	BUMPER W/M10 X 1.5 THREADED STUD	2	EA
16	2509723	BRG 25mm ID X 28mm OD X 30mm LG	4	EA
17	0120682	WELDMENT PIN	1	EA
18	5560356	WSHR LOCK 10	1	EA
19	0120751	COVER PLATE	1	EA
20	0120680	SLIDE	2	EA
21	058503 025	SHCS M8 X 1.25 X 25 G8.8 ISO 4762 BLACK OXIDE	6	EA
22	5560727	NUT HEX LKG M8 1.25	6	EA
23	514419 000	WLDMT, TRAY	1	EA
24	5534378	SPRING	2	EA
25	5563250	ROLL PIN 6M X 30	2	EA
26	0120560	KEEPER PIN	1	EA

アイテム	部品番号	名前	数量	UOM
27	5560629	M6 FLAT WASHER DIN125	4	EA
28	5560664	WSRH LOCK 6	4	EA
29	5563128	BOLT, FLSKTHD M8 1.25 25	1	EA
30	5563263	SBHCS, M10 X 1.50 X 25 GR 10.9 FULL THD BLACK FINISH	16	EA
31	5563267	SBHCS M10 X 1.50 X 45 GR 10.9 BLK FINISH	1	EA
32	5563279	SBHCS M6 X 1.0 X 12 GR 10.9 BLK FINISH	4	EA
33	5563297	SBHCS M8 X 1.25 X 16 GR 10.9 BLK FINISH	2	EA
34	5563260	SBHCS M10 X 1.50 X 16 GR 10.9 BLK FINISH	1	EA
35	107080 000	D RING BRACKET	1	EA
36	107080 001	D RING	1	EA
37	5560357	BLT HEX HD M8 1.25 25MM GR 8.8	2	EA
38	512329 000	HYDRAULIC HOSE SECURING BUSH	1	EA
39	058501 016	M5 x 16 S.H.C.S. GR 12.9	2	EA
40	514404 000	BEACON WITH GUARD ANBER FLASHING	1	EA
40	514662 000	BLANKING PLATE, BEACON (ANSI ONLY)	1	EA
41	058500 010	Bolt, SktCapScrew DIN912 M4 x	6	EA
42	0120806	ELEVATION SWITCH	1	EA
43	0120807	MOUNTING BRK. LIMIT SWITCH	1	EA
44	0120808	COVER LIMIT SWITCH	1	EA
46	3220141	GRIP TAPE GT MIDWEST P/N: TP1381	1	EA
47	510152 00	CABLE GLAND	3	EA

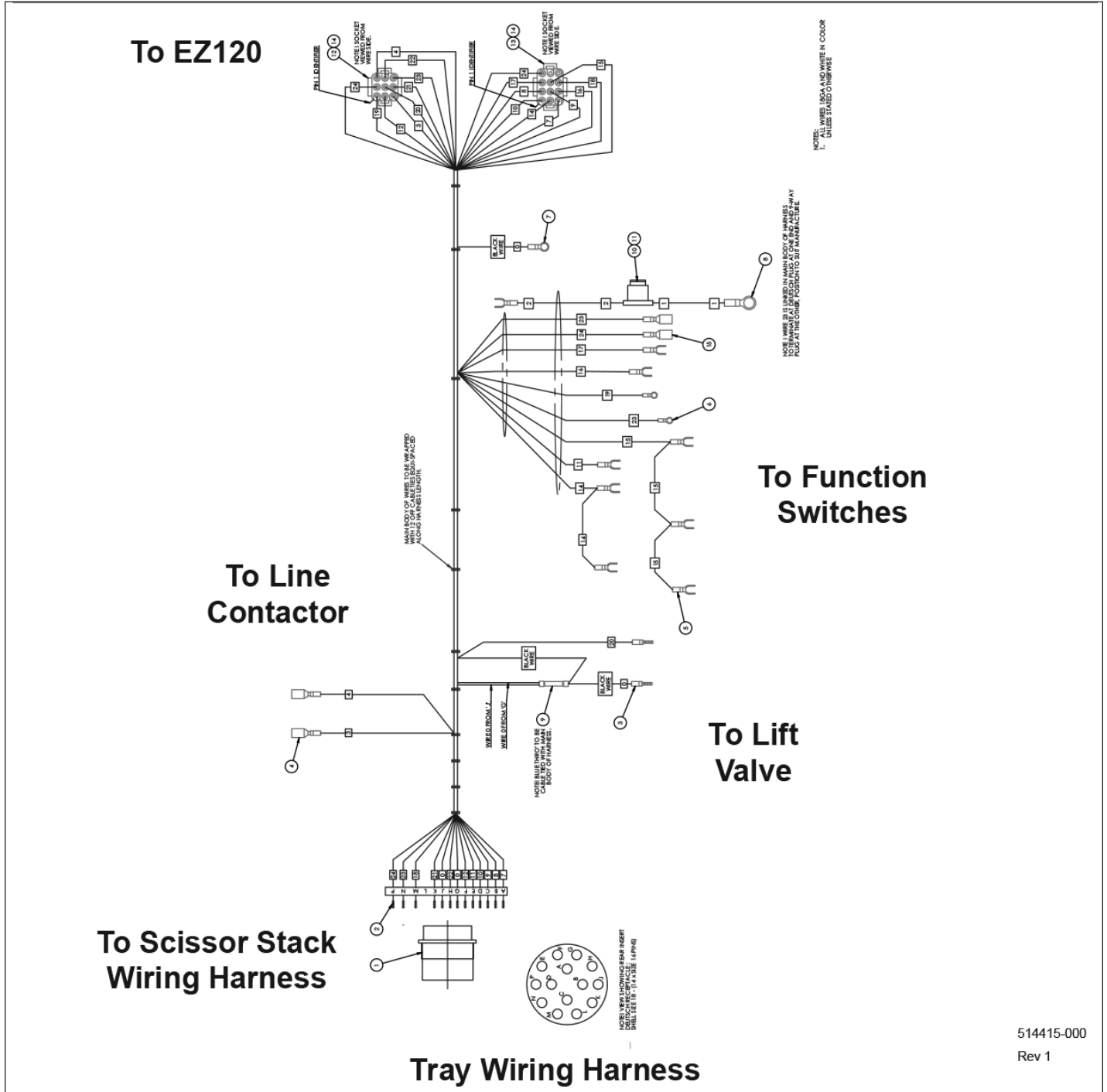
REPAIR PARTS



アイテム	部品番号	名前	数量	UOM
1	514419 000	WLDMT, TRAY	1	EA
2	0120827	BATTERY CHARGER 12V (BEFORE JUNE16)	1	EA
2	515107 000	BATTERY CHARGER 12V (AFTER JULY16)	1	EA
	515155 001	LED panel mount (for 515107 000 charger only)	1	EA
2	515504 000	BATTERY CHARGER 12V (AFTER SN S3006P 01 xxxx00068, S3008P 01 xxxx00342, S3010P 01 xxxx01715)	1	EA
Not Shown	3069521	INLET FLANGE	1	EA
8	5569887	WASHER FLAT M4	8	EA
7	514642 000	Socket 4 way panel mount	1	EA
3	3050002	BATTERY 12V	1	EA
4	510524 000	PUSH/PULL SW ASSY W/NC CONTACT	1	EA
5	512935 000	LED GREEN 12V	1	EA
6	0120801	CHARGER PLUG YELLOW (CE)	1	EA
Not Shown	3069542	FRONT COVER FOR 3069521	1	EA
9	5563245	WSHR LOCK M4 DIN 127	8	EA
10	5563131	BLT HEXHD M4 0.7 16MM	10	EA
11	003570 005	RETAINING PIN ASSY.	1	EA
12	502588 000	ALARM, ECCO BEEPING 6 28VDC	1	EA
13	3040268	BOOT BTRY CABLE END BLK	4	EA
15	0120803	Raise push button	1	EA
16	0120804	Lower push button	1	EA
17	5563011	NUT, LKG.M4 0.7	4	EA
18	0120878	TRAY BRACKET, PUSH	1	EA
19	510542 000	PUSHBUTTON BLACK C/W 1 N/O CON	1	EA
22	0120834	BLOCK, TRAY STOP	2	EA

アイテム	部品番号	名前	数量	UOM
23	5560664	WSRH LOCK 6	8	EA
24	5560690	HHCS M6 X 1 X 18 G8.8 ISO 4017 DIN 933	4	EA
25	512543 000	3 POS'N KEY SWITCH STAYPUT	1	EA
26	5563248	SHCS M6 X 1 X 12 G12.9 ISO 4762 ZINC PLATED BRIGHT CROMATED	4	EA
27	513408 000	POWER PACK, POWER PACK (BEFORE SN PUSH10 01 000610,PUSH8 01 000854,PUSH6 01 00519)	1	EA
27	514705 000	POWER PACK, POWER PACK (AFTER SN PUSH10 01 000611,PUSH8 01 000855,PUSH6 01 00520)	1	EA
28	5560364	WSHR FLAT 10	2	EA
29	5560356	WSHR LOCK 10	2	EA
30	972019	BLT HEXHD M10 1.5 X 25MM	2	EA
32	510527 000	N/O CONTACT BLOCK	2	EA
33	512907 000	CHARGER LEAD	1	EA
34	514018 000	FTG, 3/8 BSP Male 4 ORFS , POS 90Deg	1	EA
35	514329 000	EZ120 CONTROLLER	1	EA
36	446086	Fuse Block	1	EA
37	446076	FUSE, 250 AMP, REPLACEMENT	1	EA
38	512257 008	OVERLAY,LCB	1	EA

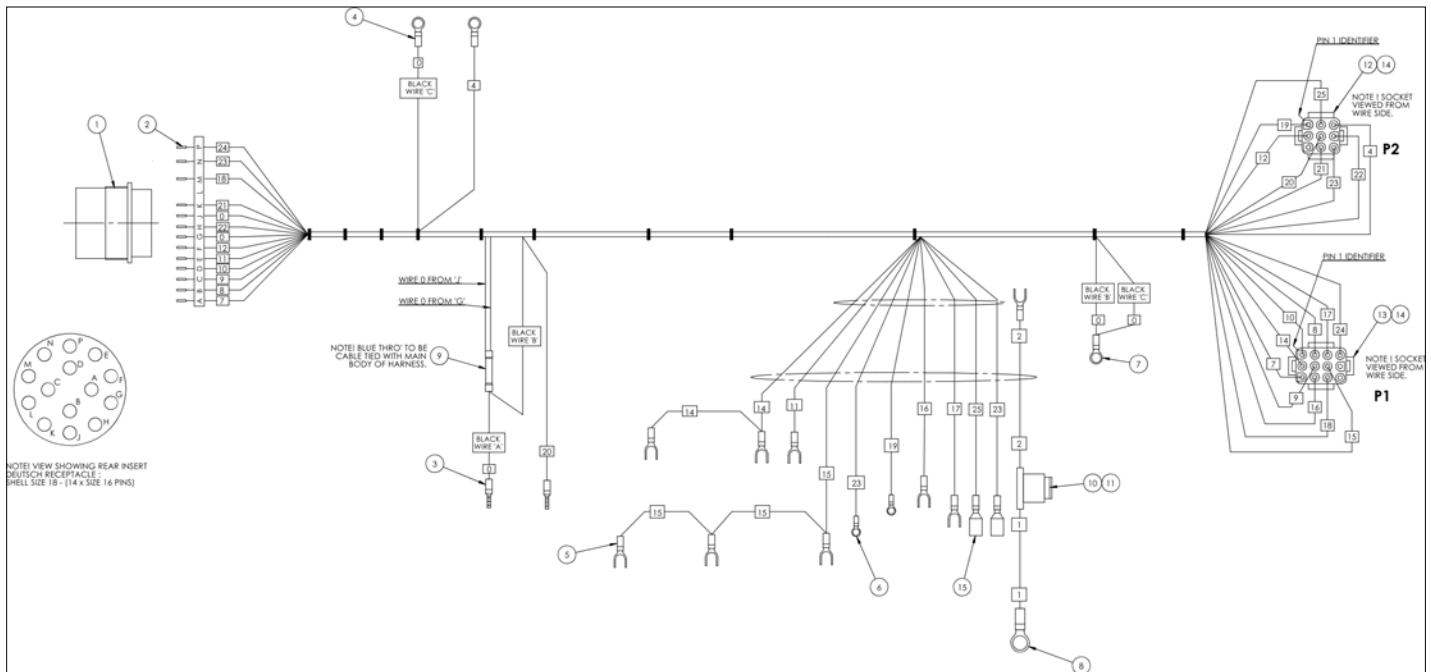
REPAIR PARTS



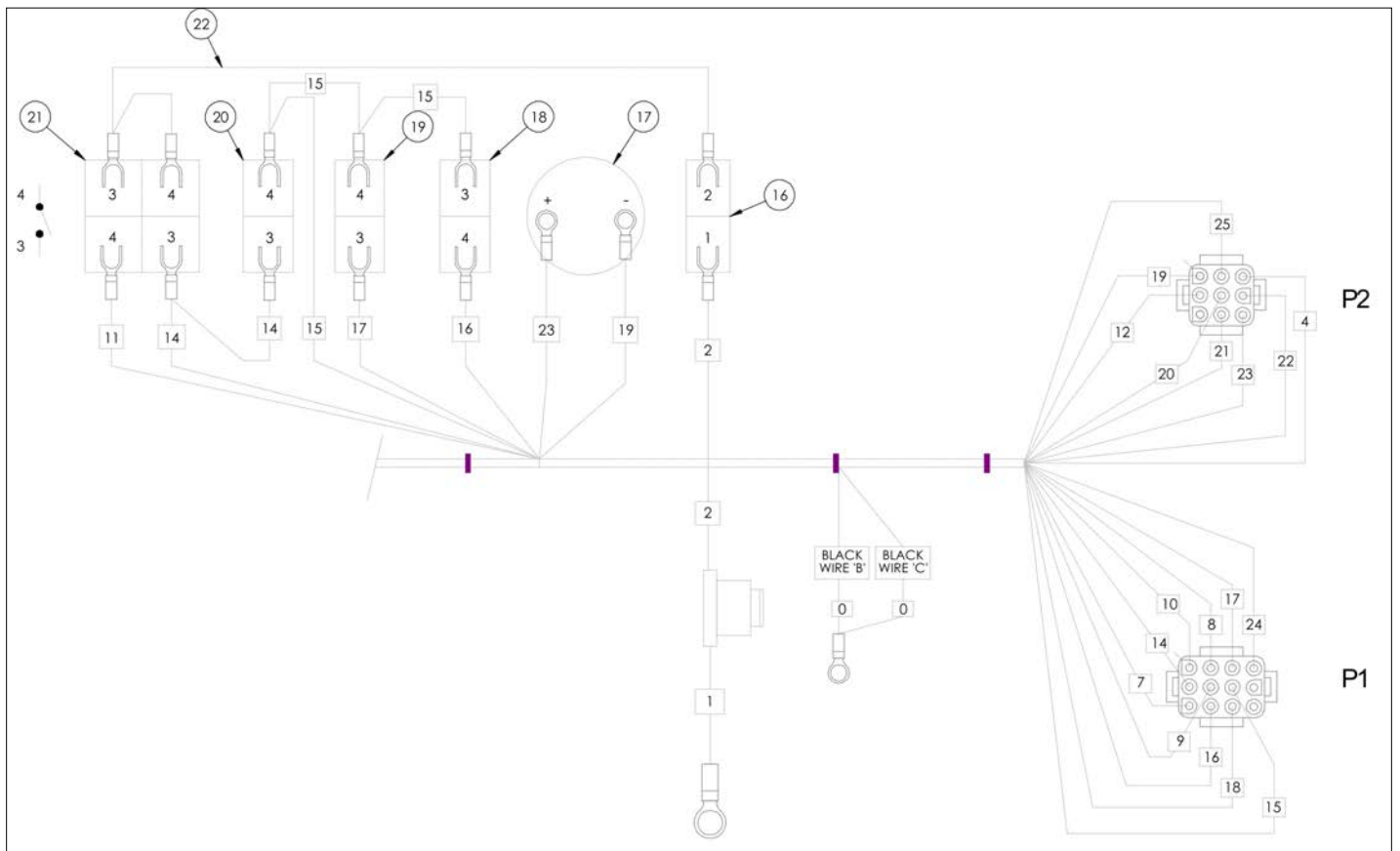
514415-000
Rev 1

アイテム	部品番号	名前	数量	UOM
1	513245 000	CONN 14 RECEP	1	EA
2	509539 000	PIN 16 DEUTSCH	13	EA
3	513090 000	BOOTLACE FERRULE RED	2	EA
4	510130 000	SPADE TERMINAL RED RF F608P	2	EA
5	510174 000	FORK TERMINAL RED	9	EA
6	513997 000	RING TERMINAL RED M3 RFM3	2	EA
7	510133 000	RING TERMINAL RED M6 RFM6	1	EA
8	510148 000	RING TERMINAL RED M8 RFM8	1	EA
9	510141 000	THRO' TERMINAL BLUE	1	EA
10	509741 000	FUSE HOLDER	1	EA
11	509740 003	FUSE 5 AMP BLADE	1	EA
12	510156 000	9WAY PANEL PLUG	1	EA
13	510157 000	12 way panel plug	1	EA
14	509755 000	Mate N lock socket contact	19	EA
15	510149 000	SPADE TERMINAL RED, 2.8MM	2	EA

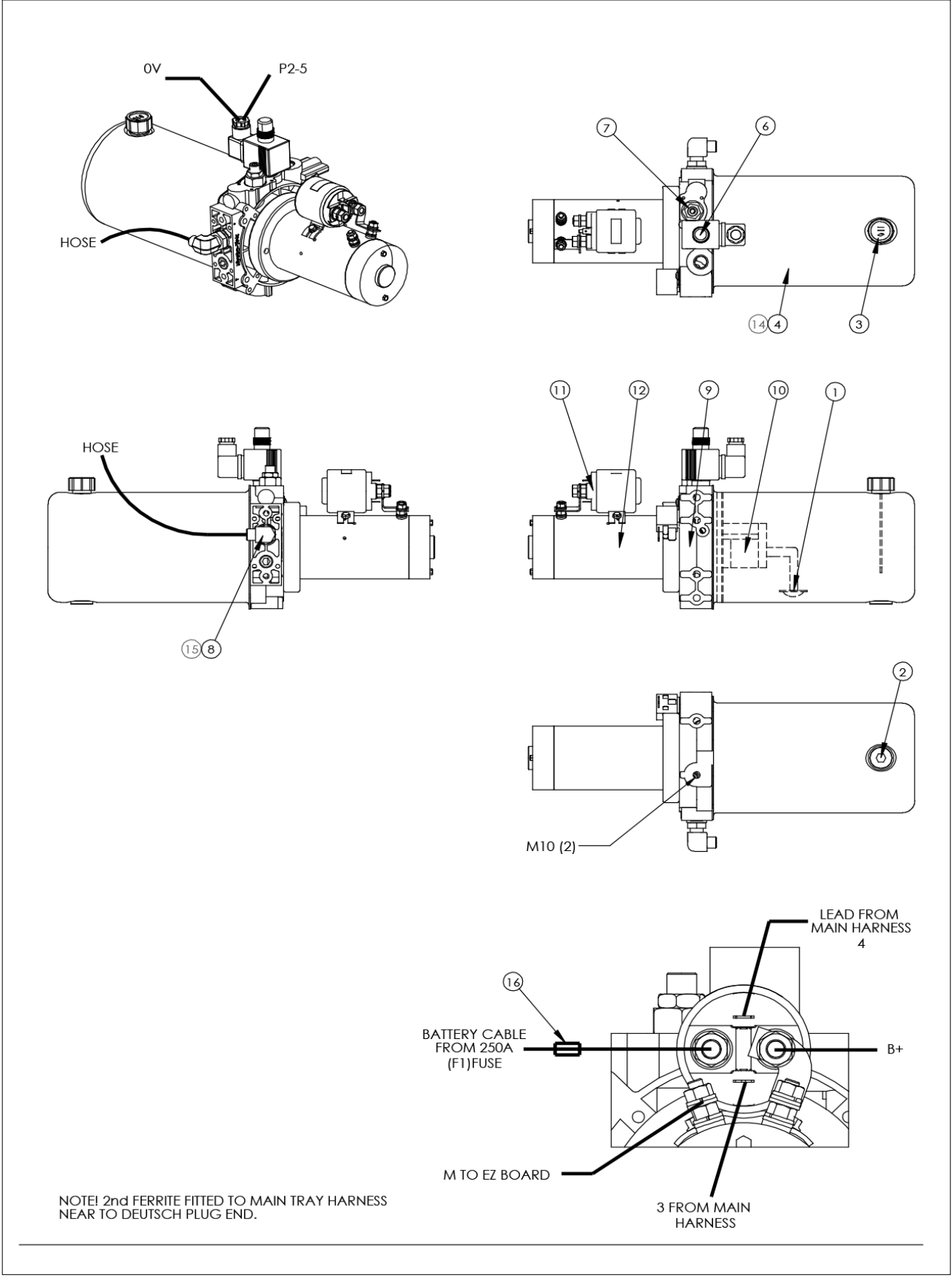
REPAIR PARTS



アイテム	部品番号	名前	数量	UOM
ITEM	PART NO.	DESCRIPTION	QTY	EA
1	513245 000	CONN 14 RECEP	1	EA
2	509539 000	PIN 16 DEUTSCH	13	EA
3	513090 000	BOOTLACE FERRULE RED	2	EA
4	513086 000	RING TERMINAL RED M5 RFM5	2	EA
5	510174 000	FORK TERMINAL RED	9	EA
6	513997 000	RING TERMINAL RED M3 RFM3	2	EA
7	514220 000	RING TERMINAL BLUE M6 BFM6	1	EA
8	510148 000	RING TERMINAL RED M8 RFM8	1	EA
9	510141 000	THRO' TERMINAL BLUE	1	EA
10	509741 000	FUSE HOLDER	1	EA
11	509740 003	FUSE 5 AMP BLADE	1	EA
12	510156 000	9WAY PANEL PLUG	1	EA
13	510157 000	12 way panel plug	1	EA
14	509755 000	Mate N lock socket contact	19	EA
15	510149 000	SPADE TERMINAL RED, 2.8MM	2	EA
16	510524 000	PUSH/PULL SW ASSY W/NC CONTACT	1	EA
17	502588 000	ALARM, ECCO BEEPING 6 28VDC	1	EA
18	0120803	Raise push button	1	EA
19	0120804	Lower push button	1	EA
20	510542 000	PUSHBUTTON BLACK C/W 1 N/O CON	1	EA
21	512543 000	3 POS'N KEY SWITCH STAYPUT	1	EA
22	514416 000	CABLE ASSY E/STOP TO KEYSWITCH	1	EA



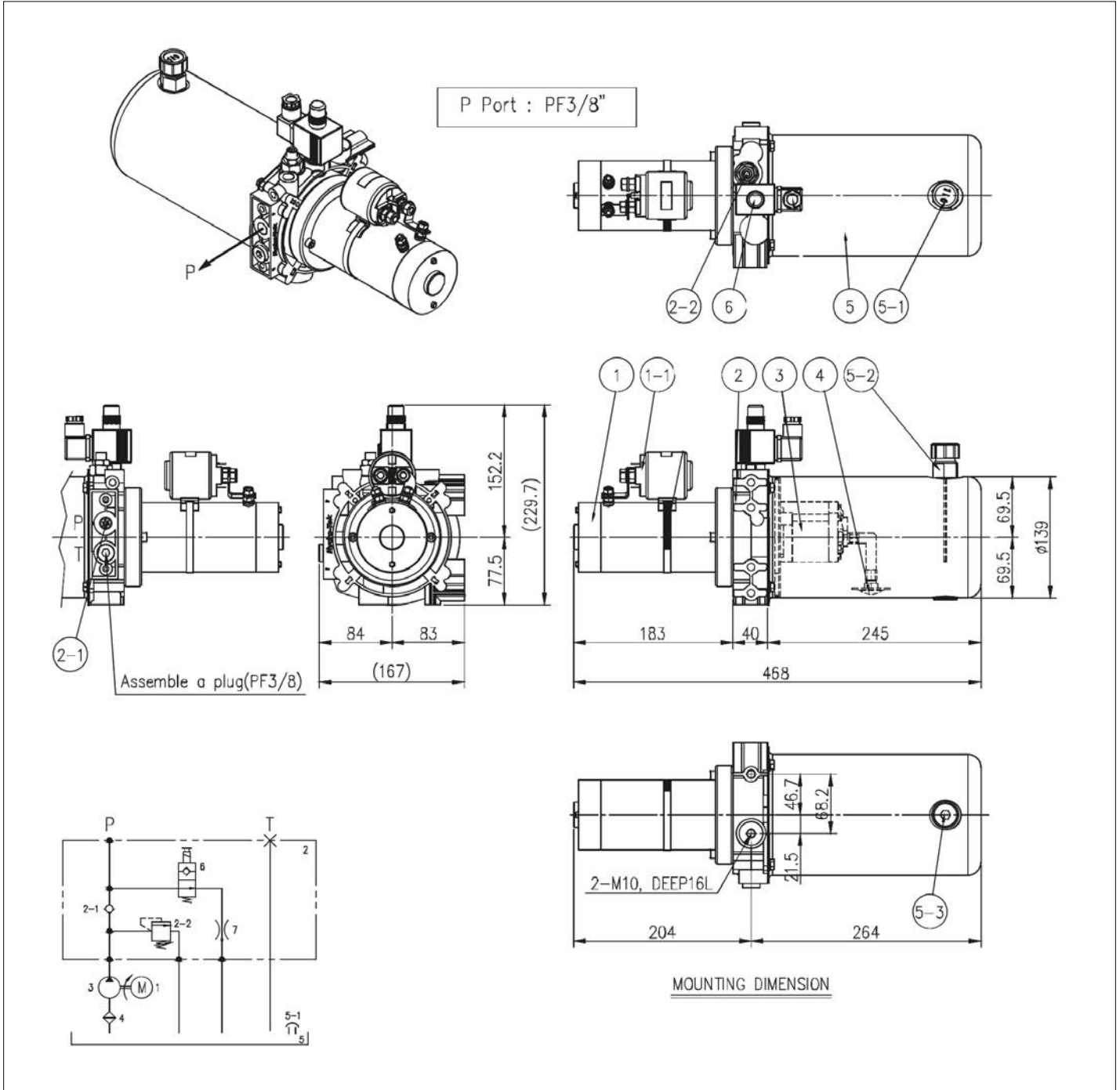
REPAIR PARTS



NOTE! 2nd FERRITE FITTED TO MAIN TRAY HARNESS NEAR TO DEUTSCH PLUG END.

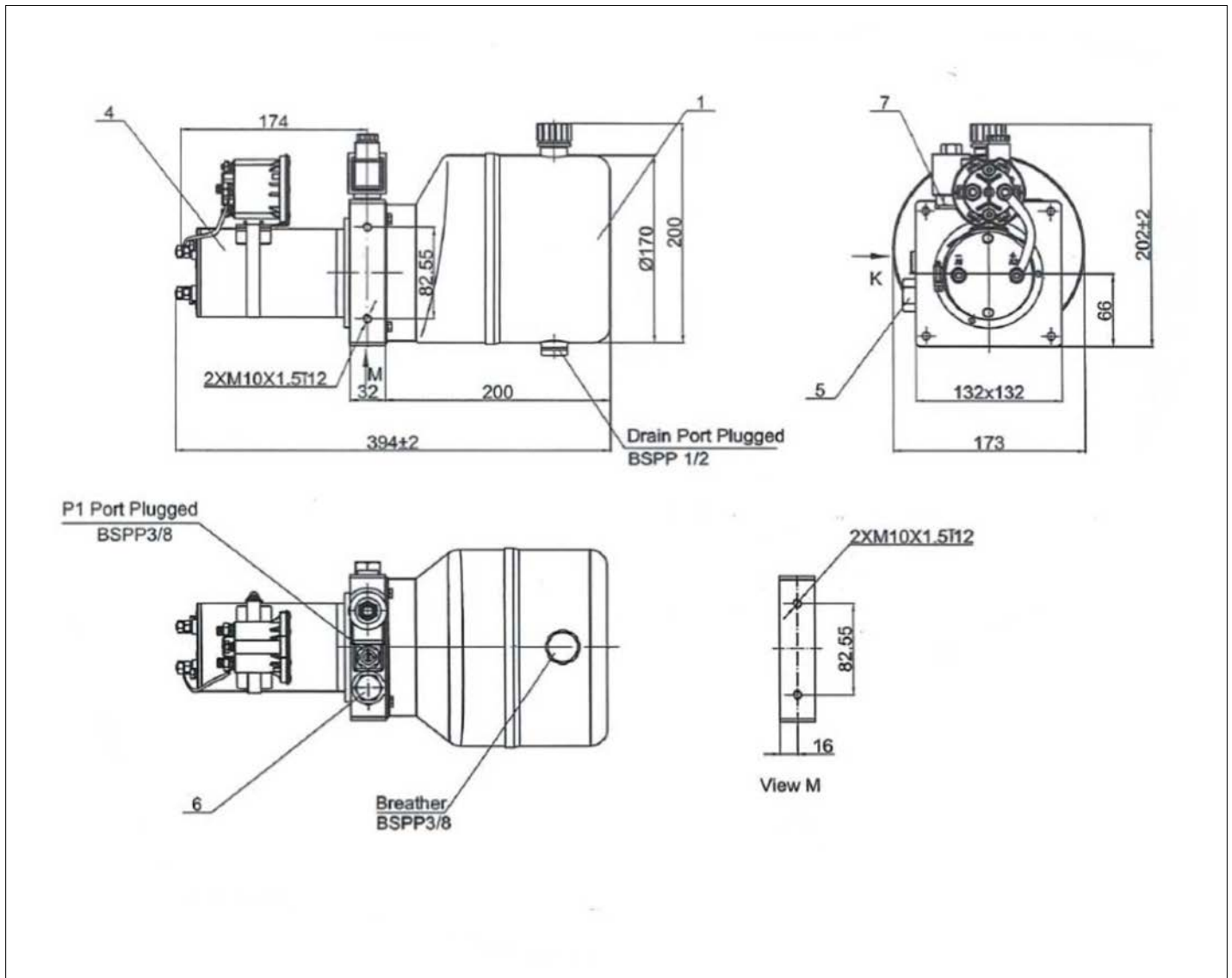
アイテム	部品番号	名前	数量	UOM
Not Shown	513408 000	POWER PACK, POWER PACK (BEFORE SN PUSH10 01 000610,PUSH8 01 000854,PUSH6 01 00519)	1	EA
1	514021 001	SUCTION FILTER	1	EA
2	514021 002	DRAIN PORT	1	EA
3	514021 003	FILLER/DIPSTICK	1	EA
4	514021 004	TANK	1	EA
6	513408 003	SOLENOID	1	EA
7	514021 007	RELIEF VALVE	1	EA
8	514021 008	CHECK VALVE	1	EA
9	514021 009	MANIFOLD BLOCK	1	EA
10	514021 010	PUMP	1	EA
11	513408 001	START CONTRACTOR	1	EA
12	513408 002	MOTOR	1	EA
14	514021 014	O' RING SEAL	1	EA
15	514018 000	FTG, 3/8 BSP Male 4 ORFS , POS 90Deg	1	EA
16	510437 000	FERRITE	1	EA

REPAIR PARTS



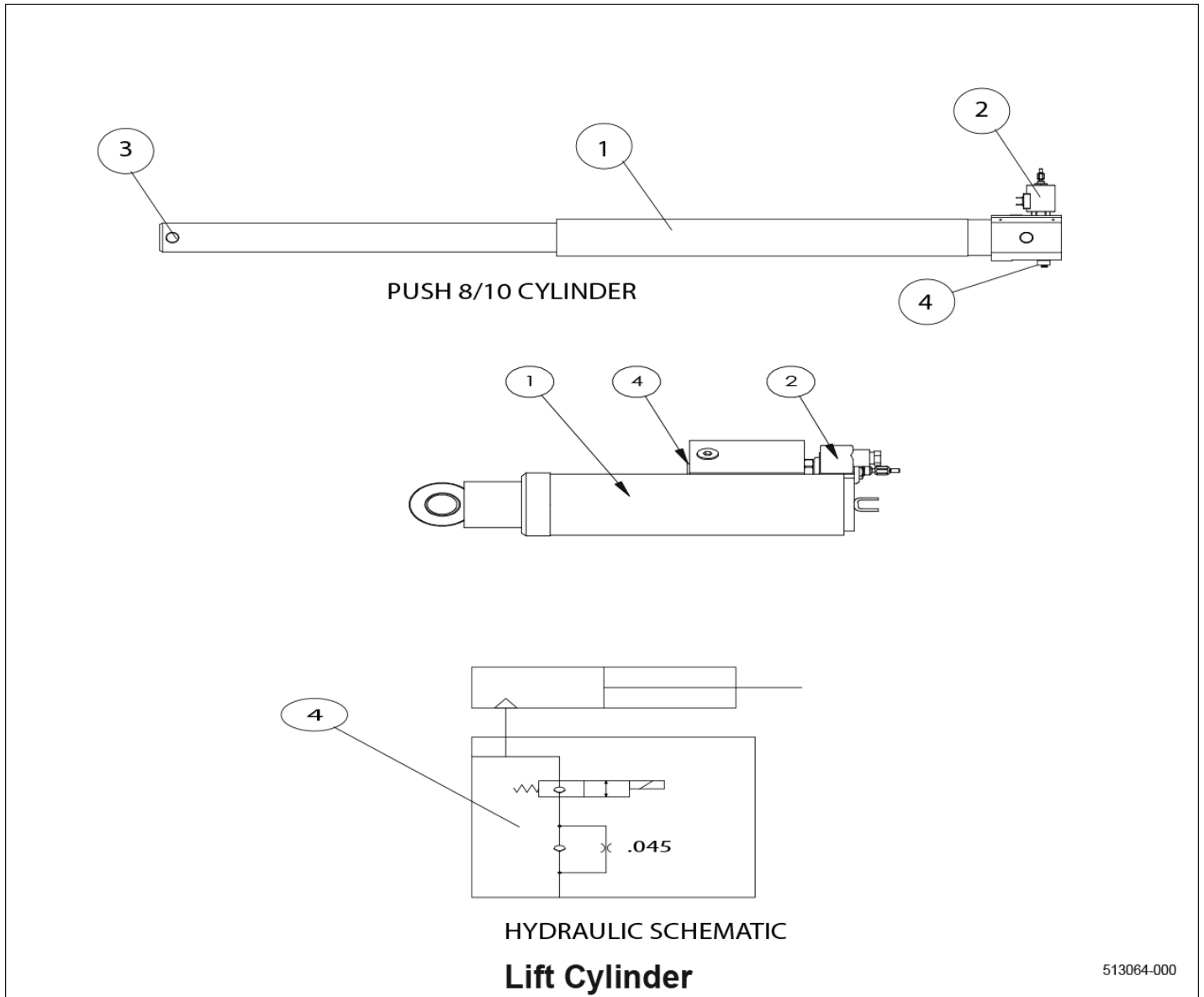
アイテム	部品番号	名前	数量	UOM
Not Shown	514705 000	POWER PACK, POWER PACK (AFTER SN PUSH10 01 000611,PUSH8 01 000855,PUSH6 01 00520)	1	EA
1	514021 001	SUCTION FILTER	1	EA
2	514021 002	DRAIN PORT	1	EA
3	514021 003	FILLER/DIPSTICK	1	EA
4	514021 004	TANK	1	EA
6	513408 003	SOLENOID	1	EA
7	514021 007	RELIEF VALVE	1	EA
8	514021 008	CHECK VALVE	1	EA
9	514021 009	MANIFOLD BLOCK	1	EA
10	514021 010	PUMP	1	EA
11	513408 001	START CONTRACTOR	1	EA
12	504705 001	MOTOR	1	EA
14	514021 014	O' RING SEAL	1	EA
15	514018 000	FTG, 3/8 BSP Male 4 ORFS , POS 90Deg	1	EA
16	510437 000	FERRITE	1	EA

REPAIR PARTS



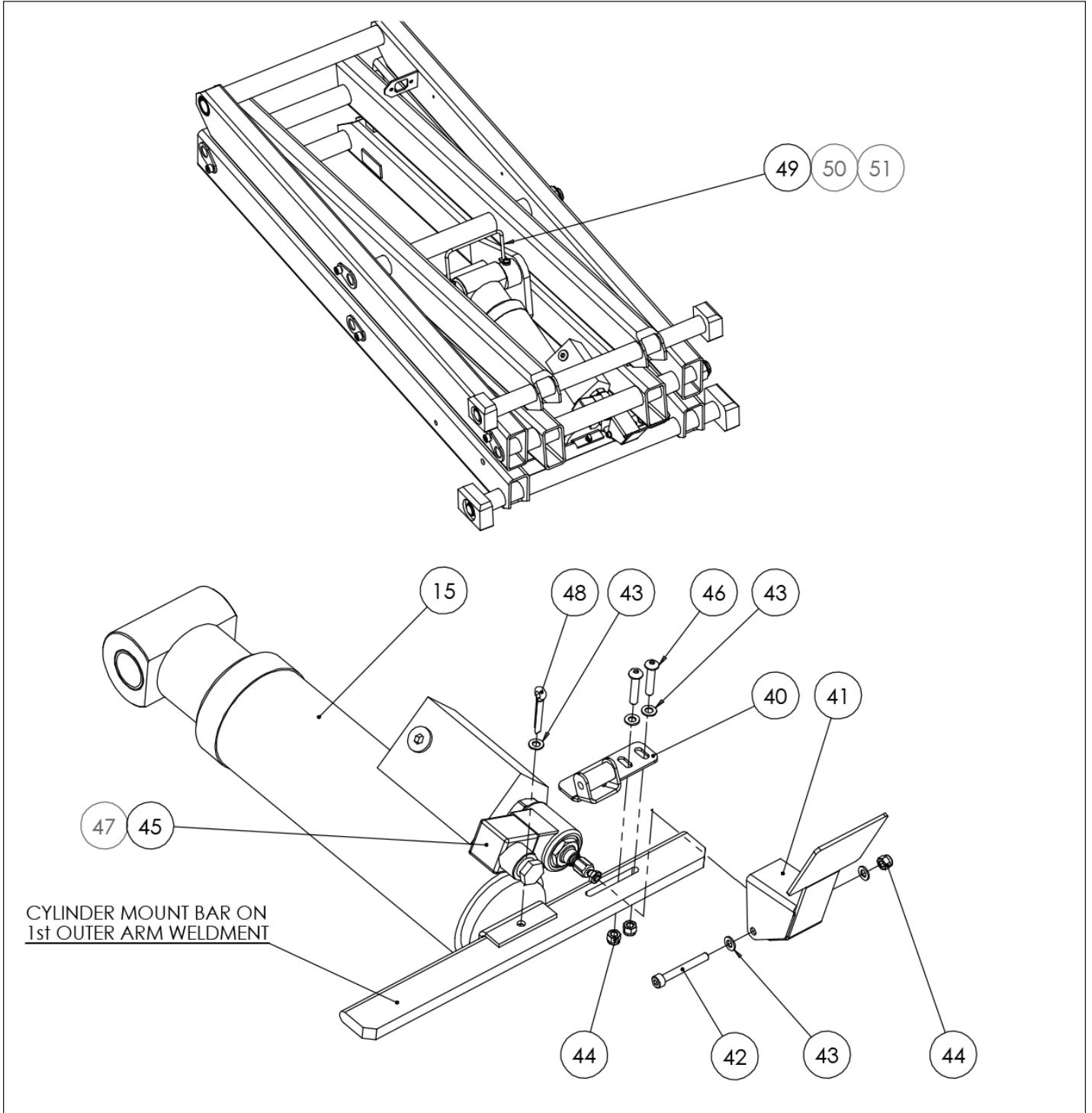
アイテム	部品番号	名前	数量	UOM
	515840 000	HYDRAULIC POWER PACK	1	EA
6	6091652	CHECK VALVE	1	EA

REPAIR PARTS



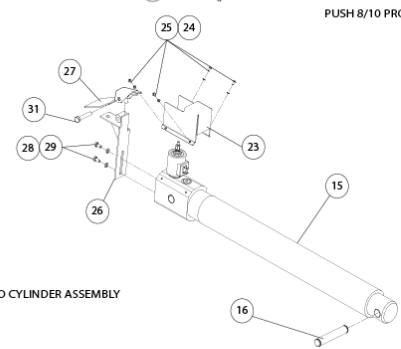
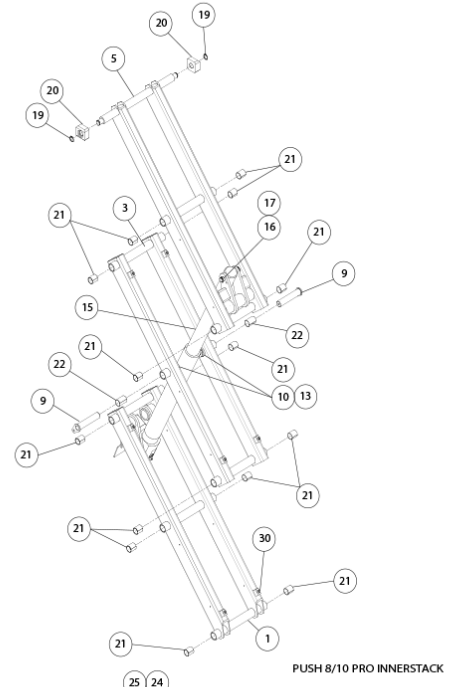
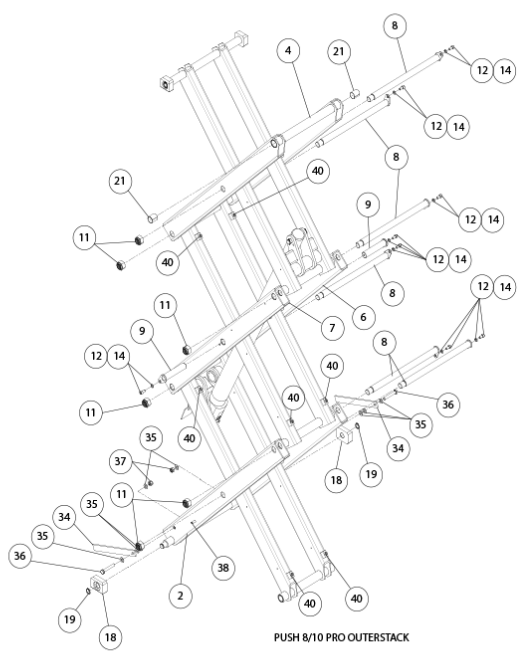
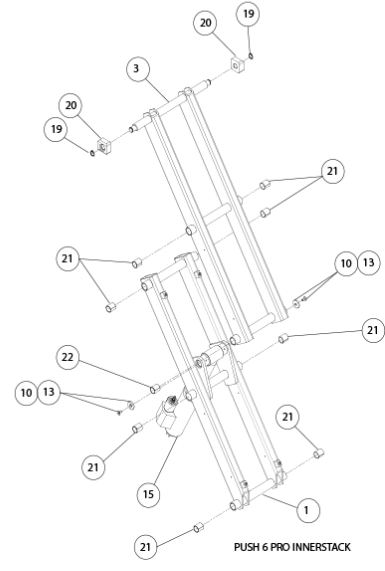
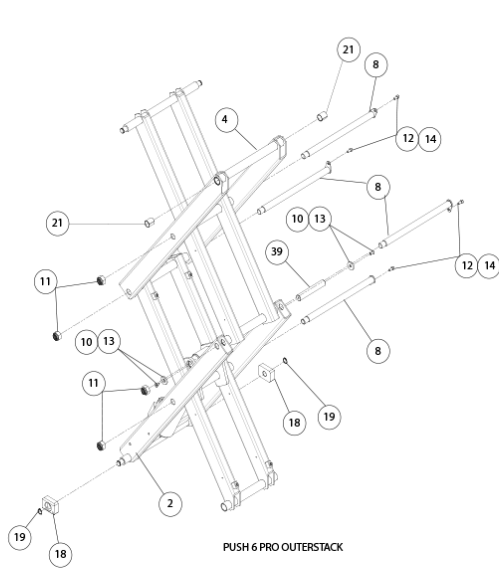
アイテム	部品番号	名前	数量	UOM
1	0120812	CYLINDER, LIFT S3006P EMC	1	EA
Not Shown	513063 000	CYLINDER, LIFT S3006P PB	1	EA
Not Shown	513058 000	CYLINDER, LIFT S3008P EMC	1	EA
Not Shown	0120811	CYLINDER, LIFT S3008P PRO PB	1	EA
Not Shown	0120658	LIFT CYLINDER (Type a)	1	EA
Not Shown	513064 000	LIFT CYLINDER (Type b)	1	EA
2	513818 000	SOLENOID VALVE, 12 VOLT DC	1	EA
3	2509722	BEARING	4	EA
4	6091348	CHECK VALVE POPPET FLOW WITH 0	1	EA
Not Shown	514806 010	SEAL KIT S3006P EMC	1	EA
Not Shown	513063 000/SK	SEAL KIT S3006P PB	1	EA
Not Shown	513058 010	SEAL KIT S3008P EMC	1	EA
Not Shown	0120811/SK	SEAL KIT S3008P PB	1	EA
Not Shown	514807 010	SEAL KIT S3010P EMC	1	EA
Not Shown	513064 000/SK	SEAL KIT S3010P PB	1	EA
Not Shown	512370 000	HOSE KIT	1	EA
Not Shown	512373 001	HOSE, HYDRAULIC, 4 4F 59 100R2	1	EA
Not Shown	512371 000	FTG, 1/4 BSP M 4 ORFS POS 90	1	EA
Not Shown	512372 000	FTG, 6 ORB, 4 ORFS POS 90	1	EA

REPAIR PARTS



アイテム	部品番号	名前	数量	UOM
1	0120618	WLDMNT 1ST INNER ARM S3006P	1	EA
Not Shown	0120598	WLDMNT 1ST INNER ARM S3008P	1	EA
Not Shown	0120525	WELDMNT 1ST INNER ARM	1	EA
2	0120621	WLDMNT 1ST OUTER ARM S3006P	1	EA
Not Shown	0120595	WLDMNT 1ST OUTER ARM S3008P	1	EA
Not Shown	0120519	WELDMNT 1ST OUTER ARM	1	EA
3	0120619	WLDMNT 2ND INNER ARM S3006P	1	EA
Not Shown	0120603	WLDMNT 2ND INNER ARM S3008P	1	EA
Not Shown	0120548	WELDMNT 2ND INNER ARM	1	EA
4	0120606	WLDMNT 3RD OUTER ARM S3006P / S3008P	1	EA
Not Shown	0120549	WELDMNT 3RD OUTER ARM	1	EA
5	0120609	WLDMNT 3RD INNER ARM S3008P	1	EA
Not Shown	0120539	WELDMNT 3RD INNER ARM	1	EA
6	0120602	TUBE 2ND OUTER ARM LH S3008P	1	EA
Not Shown	0120553	WLDNT TUBE 2ND OUTER ARM RH PUSH10	1	EA
7	0120601	TUBE 2ND OUTER ARM RH S3008P	1	EA
Not Shown	0120554	WLDNT TUBE 2ND OUTER ARM LH PUSH10	1	EA
8	0120557	WELDMNT PIN	6	EA
Not Shown	0120557	WELDMNT PIN	4	EA

Scissor Stack – S3006P, S3008P, S3010P



Scissor Stack – S3006P, S3008P, S3010P

0120829

アイテム	部品番号	名前	数量	UOM
9	0120559	WELDMENT PIN	2	EA
10	0120560	KEEPER PIN	2	EA
Not Shown	0120560	KEEPER PIN	2	EA
11	5563247	M22 X 2.5 STEEL INSERT HEX LOCKNUT S3006P	6	EA
Not Shown	5563247	M22 X 2.5 STEEL INSERT HEX LOCKNUT S3006P	4	EA
12	5560355	WSHR LOCK M8	8	EA
Not Shown	5560355	WSHR LOCK M8	4	EA
13	5563128	BOLT, FLSKTHD M8 1.25 25	2	EA
Not Shown	5563128	BOLT, FLSKTHD M8 1.25 25	2	EA
14	5563240	SHCS M8 X 1.25 X 16 G12.9 ZINC COATED ALLOY STEEL S3006P	8	EA
Not Shown	5563240	SHCS M8 X 1.25 X 16 G12.9 ZINC COATED ALLOY STEEL S3006P	4	EA
15	0120812	CYLINDER, LIFT S3006P EMC	1	EA
Not Shown	513065 000	CYLINDER, LIFT S3008P	1	EA
Not Shown	0120658	LIFT CYLINDER (Type a)	1	EA
16	0120660	PIN CYLINDER MOUNT	2	EA
17	5592008	SNAP RING EXTERNAL 18MM	4	EA
18	0120616	BLOCK SLIDE	2	EA
Not Shown	0120616	BLOCK SLIDE	2	EA
19	5592007	SNAP RING EXT 20MM	4	EA
Not Shown	5592007	SNAP RING EXT 20MM	4	EA
20	0120612	BLOCK SLIDE	2	EA
Not Shown	0120612	BLOCK SLIDE	2	EA

アイテム	部品番号	名前	数量	UOM
21	2509723	BRG 25mm ID X 28mm OD X 30mm LG	16	EA
Not Shown	2509723	BRG 25mm ID X 28mm OD X 30mm LG	10	EA
22	2509724	BRG 25mm ID X 28mm OD X 40mm LG	2	EA
Not Shown	2509724	BRG 25mm ID X 28mm OD X 40mm LG	2	EA
23	0120786	COVER COIL	1	EA
24	5563245	WSHR LOCK M4 DIN 127	4	EA
25	5563241	SBHCS M4 X .7 X 8 18 8 STAINLESS STEEL	4	EA
26	512931 000	WLDMT, PIVOT BRKT BLEED DOWN	1	EA
27	0120820	WLDMT BLEED DOWN LEVER	1	EA
28	5560664	WSRH LOCK 6	2	EA
29	5560628	BLT HEXHD M6 1.00 12MM	2	EA
30	5563237	BUMPER	8	EA
31	5560634	CAPSCREW METRIC M8 1.25 X 45MM LONG HEX HEAD	1	EA
32	5560727	NUT HEX LKG M8 1.25	1	EA
33	5560034	NUT LKG 10 24	1	EA
34	514380 000	SAFETY PROP, POPUP	2	EA
35	5560364	WSHR FLAT 10	8	EA
36	5560719	NUT HEX LKG M 10 1.50 GR 8.8	2	EA
37	5560672	HHCS M10 X 1.5 X 65 G8.8 DIN 933	2	EA
38	5560023	PIN, ROLL M8 X 40	2	EA
39	513031 000	PIN, S3006P CYLINDER	1	EA
40	514647 000	EPDM RUBBER PAD	8	EA
40	513708 000	SAFETY RELEASE BRACKET	1	EA
41	513707 000	SAFETY RELEASE ASSEMBLY	1	EA

アイテム	部品番号	名前	数量	UOM
42	058501 040	SKT CAP SCREW M5 0.8 X 40MM GR12.9 ZINC	1	EA
43	056069 005	Washer SteelFlatWasher DIN125A	5	EA
44	056066 005	Nut NylockNut DIN985 M5 8.0 Zi	3	EA
45	513818 000	SOLENOID VALVE, 12 VOLT DC	1	EA
46	505082 025	SOCKET BUTTON HD SCREW M5X25	2	EA
47	508637 000	HIRSCHMANN CONNECTOR	1	EA
48	501257 000	SPLIT PIN 5MM X 25LG	1	EA
49	514030 000	CYLINDER OVER BRACKET	1	EA
50	501253 012	M6 x 12 Button HD. screw 12.9	2	EA
51	056069 006	WSHR STEELFLATWSHE M6 DIN125A	2	EA

REPAIR PARTS

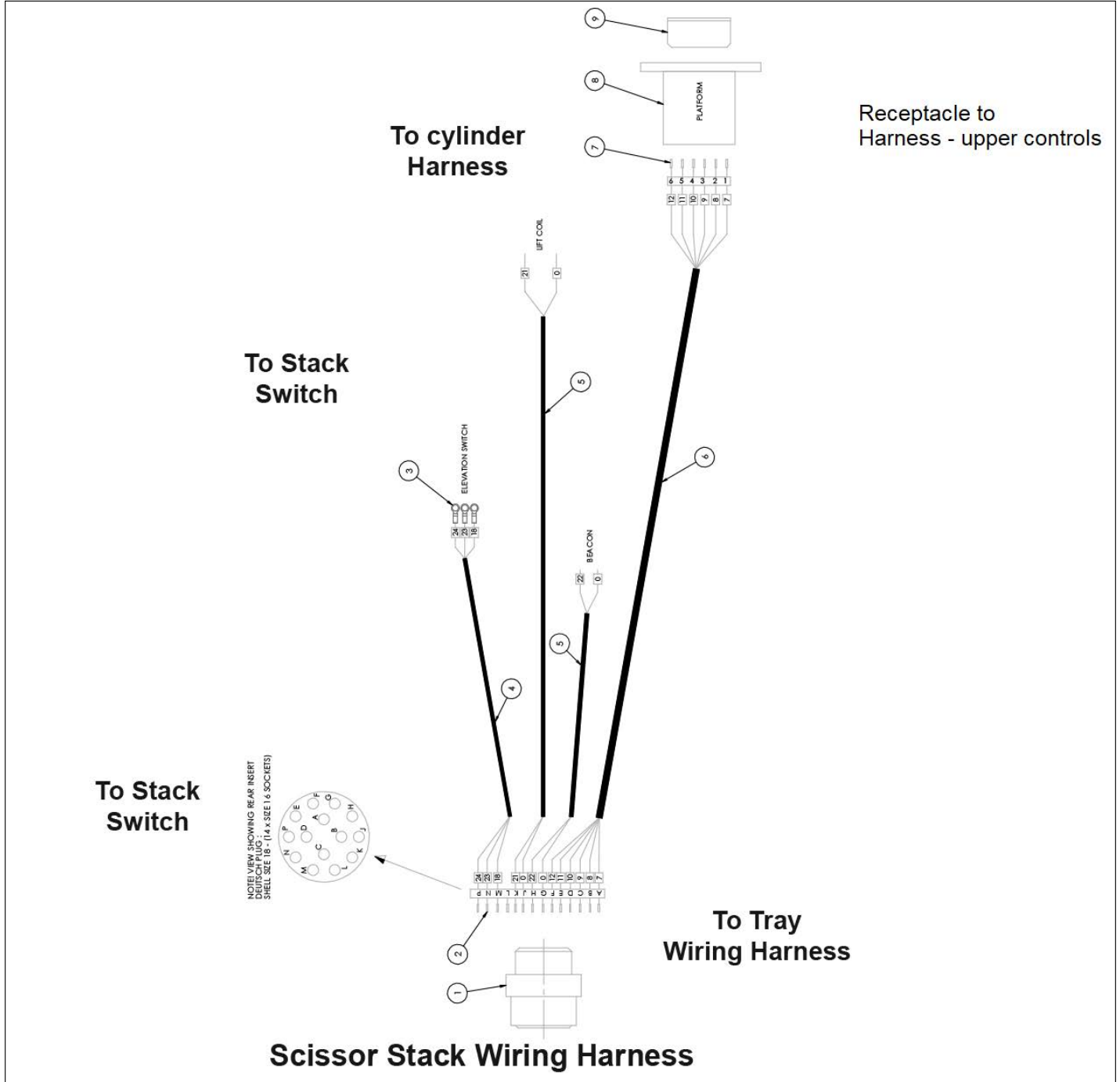
Additional Fixings List - S3006P

Item	Part No.	Qty.	Description
	2509723	12	BRG 25MM X28 MM X 30MM LG CSB-5
	056066-022	4	NUT ,NYLOCKNUT DIN985 M22 22.0 ZINCPLATED
	056069-022	4	WASHER,STEELFLATWASHER DIN125A M22 ZINCPLATED
	056064-010	3	NUT ,NYLOCKNUT DIN985 M10 10.0 ZINCPLATED
	057577-000	4	20MM EXTERNAL CIRCLIP
	501253-012	8	BOLT ,SKTBUTCAPSCREW DIN9427 M6X12 ZINCPLATED
	505082-016	14	BOLT ,SKTBUTCAPSCREW DIN9427 M5X16MM 10.9 ZINCPLATED
	058492-016	7	BOLT ,HEXBOLT DIN931 M8X16MM 8.8 ZINCPLATED
	500437-000	2	20MM P-CLIPS
	056060-065	2	HEX ,HEXBOLT M10X65MM DIN931 8.8 ZINCPLATED

Additional Fixings List - S3008P,S3010P

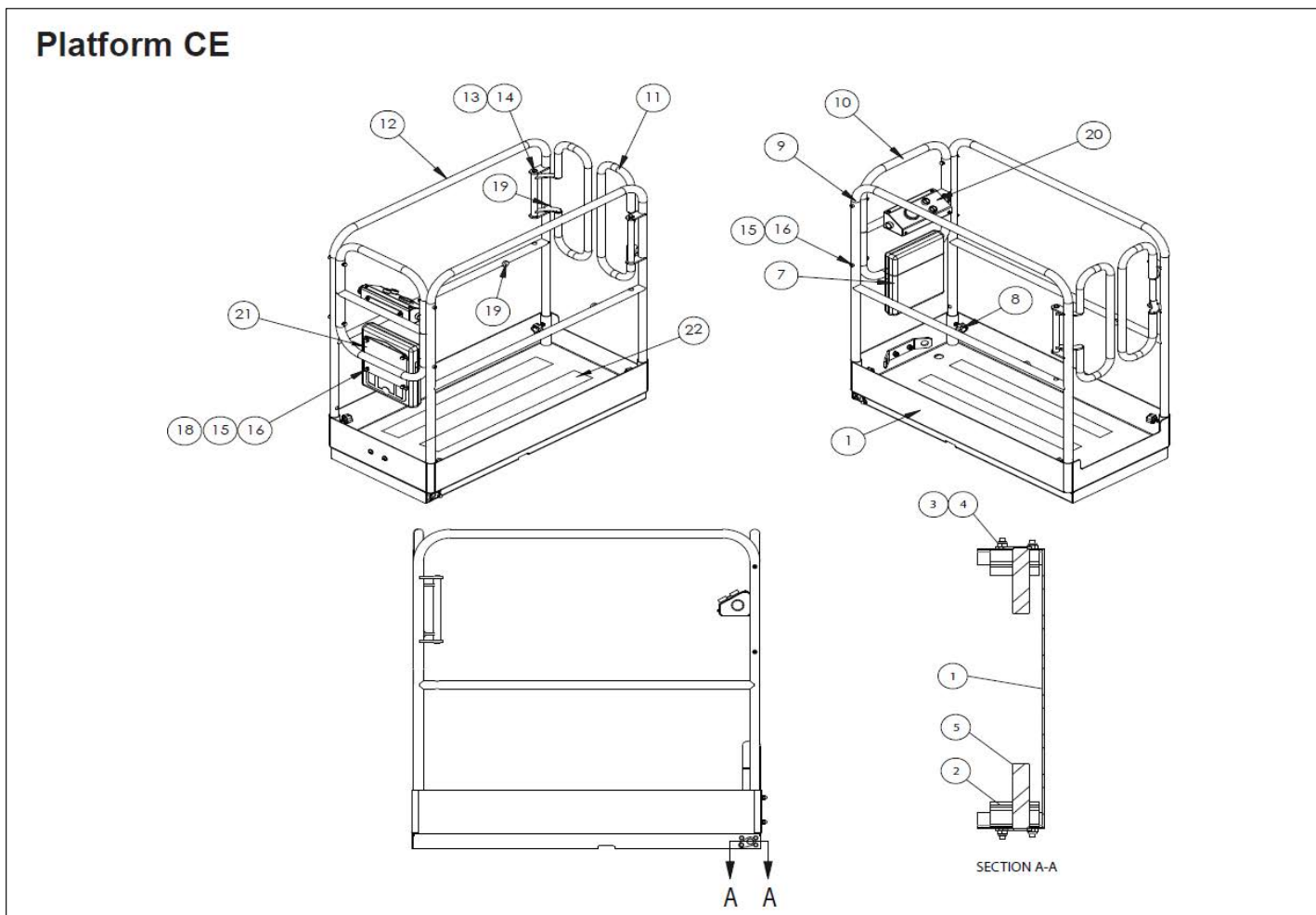
Item	Part No.	Qty.	Description
	058490-016	2	BOLT ,HEXBOLT DIN9427 M5X16MM ZINCPLATED
	056069-005	12	WASHER ,STEELFLATWASHER DIN125A M5 ZINCPLATED
	056066-004	10	NUT ,NYLOCKNUT DIN985 M4 8.0 ZINCPLATED
	058492-025	2	BOLT ,HEXSETSCREW DIN933 M8X25MM 8.8 ZINCPLATED
	510592-016	4	BOLY ,POZI PAN HEAD DIN 7985 M4 X 16
	056066-008	6	NUT , NYLOCKNUT DIN985 M8 8.0 ZINCPLATED
	056069-010	24	WASHER ,STEELFLATWASHER DIN125A M10
	501258-025	18	BOLT ,SKTBUTCAPSCREW DIN912 M10X25MM 12 10.9 ZINCPLATED
	056060-045	1	BOLT ,HEXBOLT DIN931 M10X45MM
	514073-036	2	WASHER ,PENNYWASHER,DIN9021 ,M10X36 ZINCPLATED
	056064-010	3	NUT , NYLOCKNUT DIN985 M10 10.0 ZINCPLATED
	511155-000	14	10MM P-CLIP
	513297-000	4	18MM EXTERNAL CIRCLIP
	056069-005	16	WASHER ,STEELFLATWASHER DIN125A M5 ZINCPLATED
	056066-008	1	NUT ,NYLOCKNUT DIN985 M8 8.0 ZINCPLATED
	505082-016	18	BOLT ,SKTBUTCAPSCREW DIN9427 M5X16MM 10.9 ZINCPLATED
	25099723	16	BRG 25MM X 28MM X 30 LG CSB-5
	500595-020	6	BOLT ,SKT,BUTCAPSCREW DIN9427 M8X20MM 10.9 ZINCPLATED
	501253-012	1	BOLT ,SKT,BUTCAPSCREW DIN9427 M6X12MM 10.9 ZINCPLATED
	056069-004	6	WASHER ,STEELFLATWASHER DIN125A M4 ZINCPLATED
	505082-010	2	BOLT ,SKT,BUTCAPSCREW DIN9427 M5X10MM 10.9 ZINCPLATED
	500437-000	2	20MM P-CLIP
	505045-000	6	DU10 THRUST WASHER
	058509-065	2	BOLT ,HEXBOLT M10X65 ZINCPLATED
	058492-016	11	BOLT ,HEXBOLT DIN931 M8X16MM 8.8 ZINCPLATED
	056069-006	4	WASHER ,STEELFLATWASHER DIN125A M6 ZINCPLATED
	056060-045	1	BPLT ,HEX BOLT M10X45MM 8.8 ZINCPLATED

REPAIR PARTS



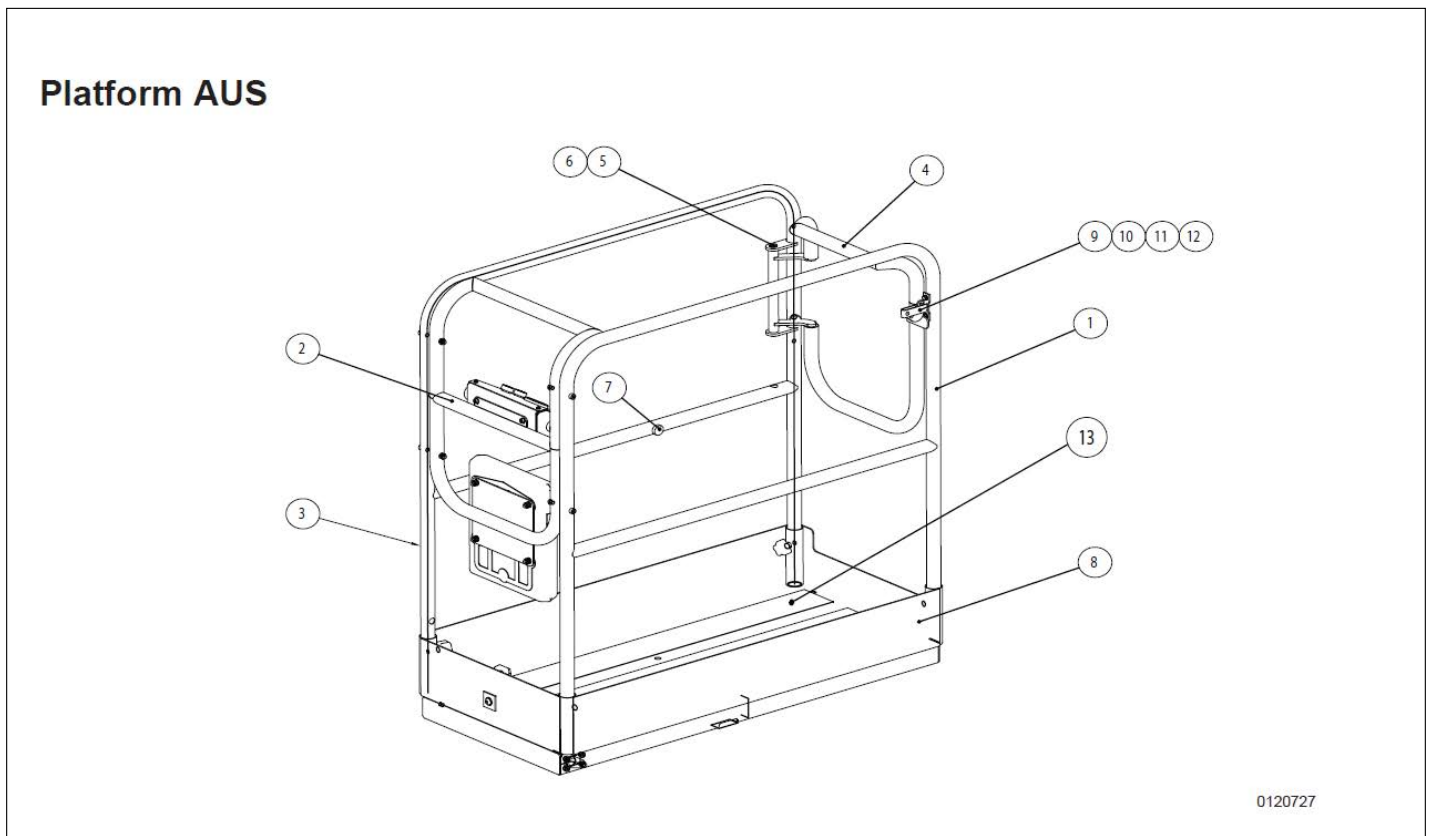
アイテム	部品番号	名前	数量	UOM
Not Shown	514418 000	STACK HARNESS ASSY ,S3006P	1	EA
Not Shown	514420 000	STACK HARNESS ASSY ,S3008P	1	EA
Not Shown	514421 000	STACK HARNESS ASSY ,S3010P	1	EA
1	513244 000	CONN 14 PIN DEUTSCH PLUG	1	EA
2	509540 000	SOCKET CONTACT 16 DEUTSCH	14	EA
3	510143 000	M4 RING TERMINAL	3	EA
4	514206 000	IGUS CHAIN FLEX 3 CORE CABLE	1.3M	EA
5	514205 000	IGUS CABLE, CF130.10.02.UL (2 X 1.0MM)	2.5M	EA
6	514207 000	7 CORE CABLE, GREY IN COLOUR (7 X 1.0MM), S3010P	3.3M	EA
	514207 000	7 CORE CABLE, GREY IN COLOUR (7 X 1.0MM), S3010P	4.3M	EA
	514207 000	7 CORE CABLE, GREY IN COLOUR (7 X 1.0MM), S3010P	4.7M	EA
7	509539 000	PIN 16 DEUTSCH	6	EA
8	3220152	6 WAY RECEPTIACLE DEUTSCH	1	EA
9	3049886	LOCK WEDGE 6 PIN DEUTSCH	1	EA

REPAIR PARTS



アイテム	部品番号	名前	数量	UOM
1	512899 000	DECK WELDMENT	1	EA
2	513502 000	BLOCK	2	EA
3	058503 045	SHCS M8 X 1.25 X 45 G8.8 ISO 4762 BLACK OXIDE	8	EA
4	5560727	NUT HEX LKG M8 1.25	10	EA
5	512900 000	WELDMENT PIN	2	EA
7	010076 000	Manual Enclosure	1	EA
8	5563251	M8 THREADED KNOB	4	EA
9	0120492	WLDMT, HAND RAIL, LEFT	1	EA
10	512898 000	WLDMT, HAND RAIL, FRONT	1	EA
11	0120505	WLDMT, SWING GATE	2	EA
12	0120498	WLDMT, HAND RAIL, RIGHT	1	EA
13	0120825	PIN, SALOON DOOR	2	EA
14	5592001	SNAP RING .625 EXT HD	4	EA
15	500595 020	Bolt, SktButCapScrew DIN9427 M	4	EA
16	512346 008	METRIC ACORN NUT M8 X 1.25 ZINC PLTD	8	EA
17	058492 016	HHCS M8 x 1.25 X 16GR 8.8 DIN933	4	EA
18	056021 008	Washer SpringWasher DIN127B M8	4	EA
19	514648 000	BUMPER	4	EA
20	REF	UPPER CONTROL BOX	1	EA
21	514280 000	GLAND PLATE BLANK	1	EA
22	3220141	GRIP TAPE GT MIDWEST P/N: TP1381	3m	EA

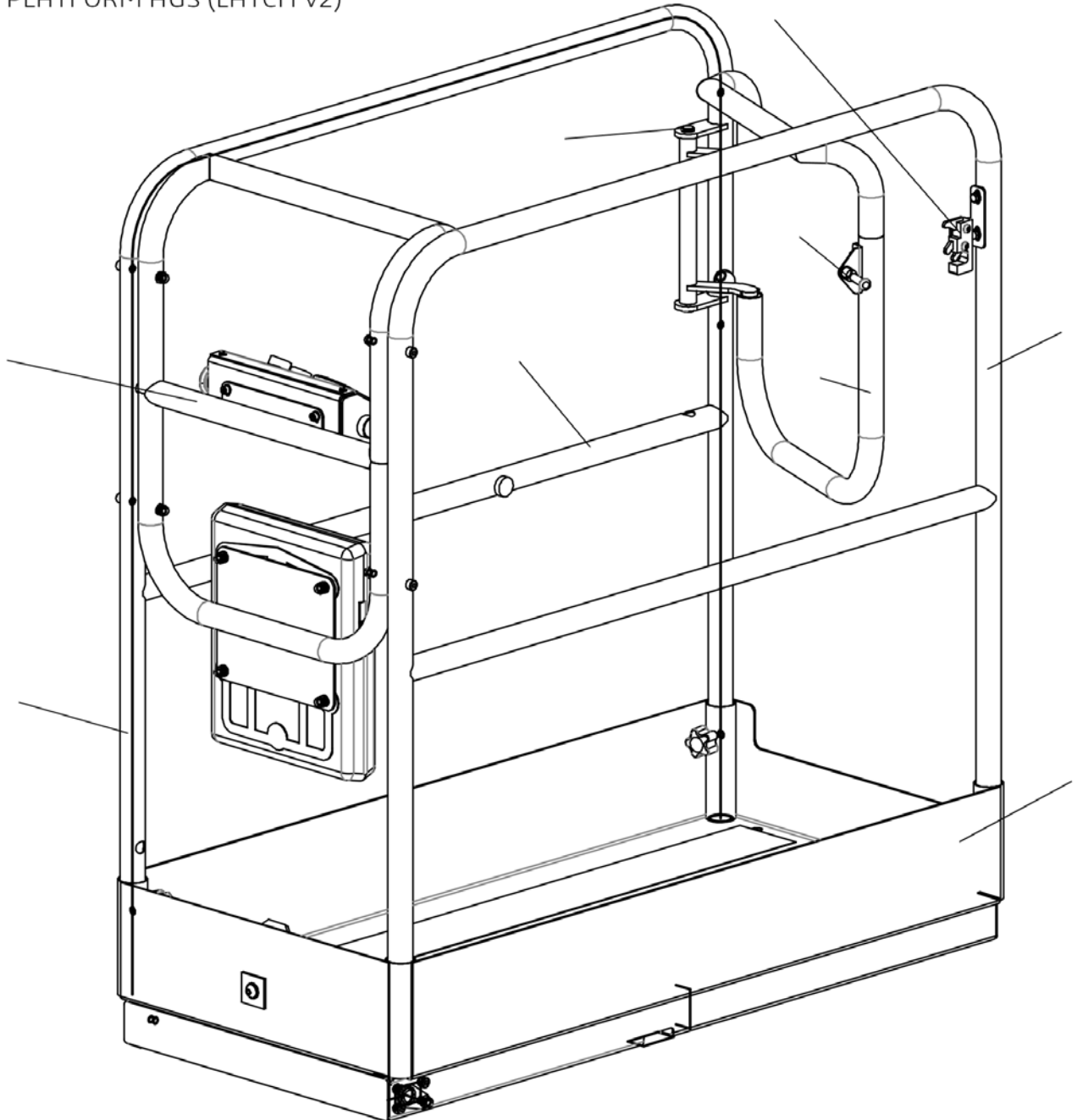
REPAIR PARTS



アイテム	部品番号	名前	数量	UOM
1	514379 000	WLDMT, HAND RAIL, LEFT	1	EA
2	514377 000	WLDMT, HAND RAIL, FRONT	1	EA
3	514854 000	WLDMT, HAND RAIL, RIGHT	1	EA
4	514378 000	WLDMT, SWING GATE	1	EA
5	0120825	PIN, SALOON DOOR	1	EA
6	501056 000	dia.15 EXTERNAL CIRCLIP	2	EA
7	514648 000	BUMPER	2	EA
8	512899 000	DECK WELDMENT	1	EA
9	11691 10	Gate Latch Striker Set	1	EA
10	056069 006	WSHR STEELFLATWSHE M6 DIN125A	2	EA
11	056021 006	WASHER SPRING WASHER M6 DIN 127B GR8.8 ZP	2	EA
12	058491 016	BOLT HEXSETSCREW DIN933 M6 X 16MM 8.8 ZP	2	EA
13	3220141	GRIP TAPE GT MIDWEST P/N: TP1381	3m	EA

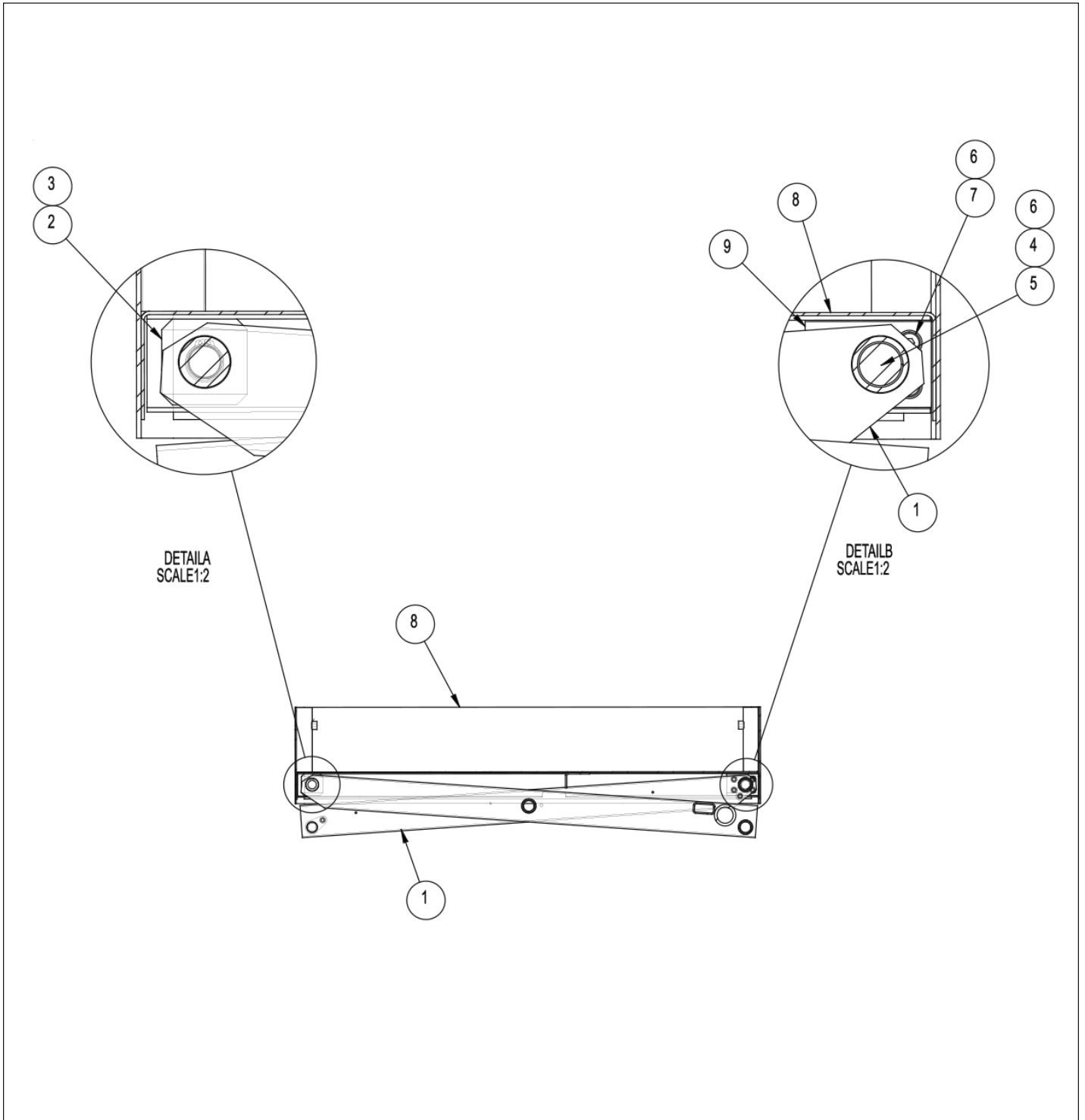
REPAIR PARTS

PLATFORM AUS (LATCH V2)



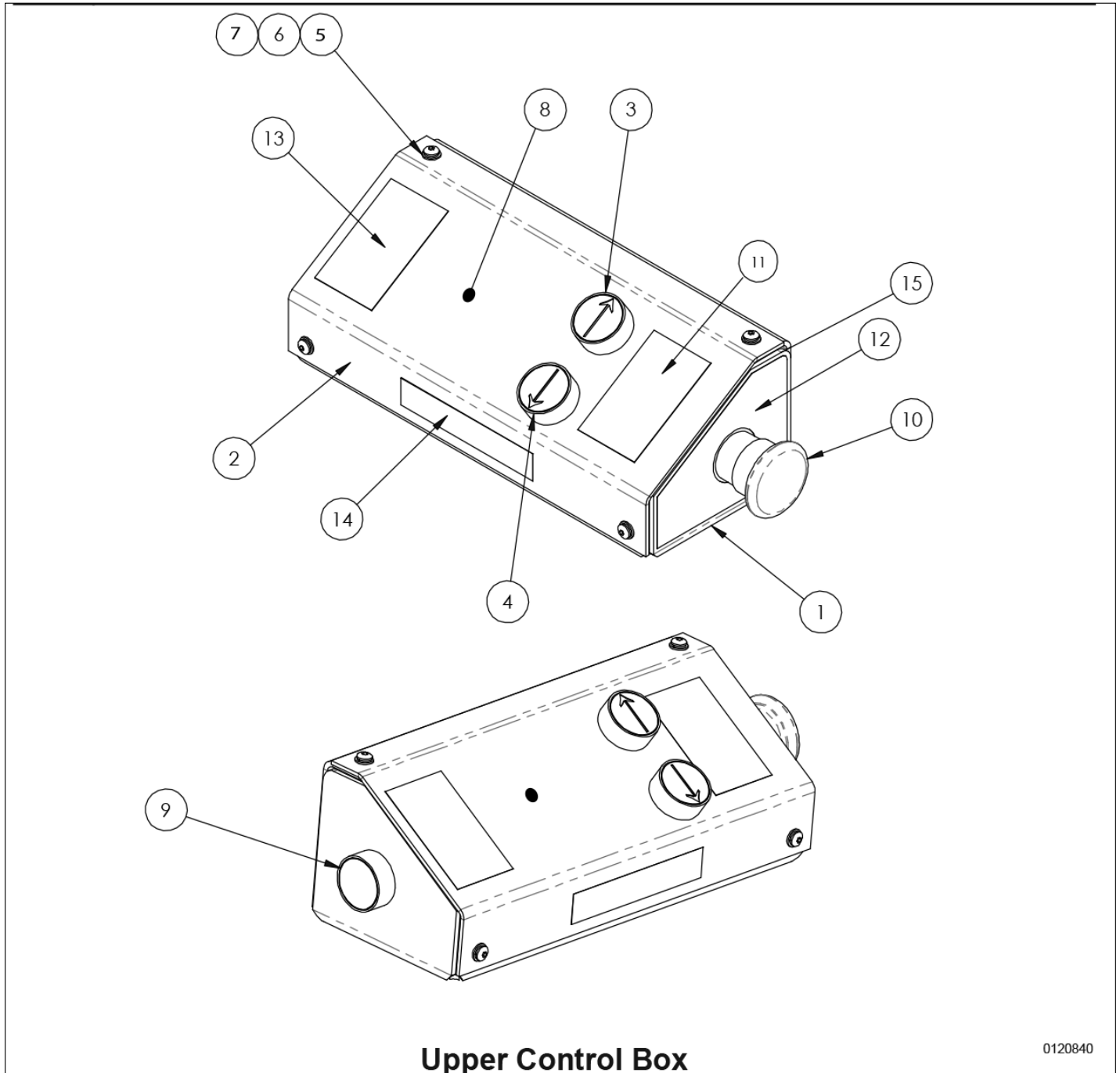
アイテム	部品番号	名前	数量	UOM
1	514379 000	WLDMT, HAND RAIL, LEFT	1	EA
2	514377 000	WLDMT, HAND RAIL, FRONT	1	EA
3	514854 000	WLDMT, HAND RAIL, RIGHT	1	EA
4	515447 000	WLDMT, SWING GATE	1	EA
5	0120825	PIN, SALOON DOOR	1	EA
6	501056 000	dia.15 EXTERNAL CIRCLIP	2	EA
7	514648 000	BUMPER	2	EA
8	512899 000	DECK WELDMENT	1	EA
9	515448 000	GATE LATCH HAND ACTUATED.	1	EA
10	056069 006	WSHR STEELFLATWSHE M6 DIN125A	8	EA
11	056021 006	WASHER SPRING WASHER M6 DIN 127B GR8.8 ZP	8	EA
12	515061 000	LATCH BRACKET RAIL	1	EA
13	515062 000	STRIKER BRACKET WELDMENT	1	EA
14	058491 050	M6 x 50 HEX. HD. BOLT 8.8	4	EA
15	512346 006	ACORN NUT M6 x 1.0	4	EA
	515447 000 SK	REPLACEMENT GATE/LATCH V2 SALES KIT, FROM SERIAL No. PUSH6(N/A), PUSH8 01 000636, PUSH10 01 000312	1	EA

REPAIR PARTS



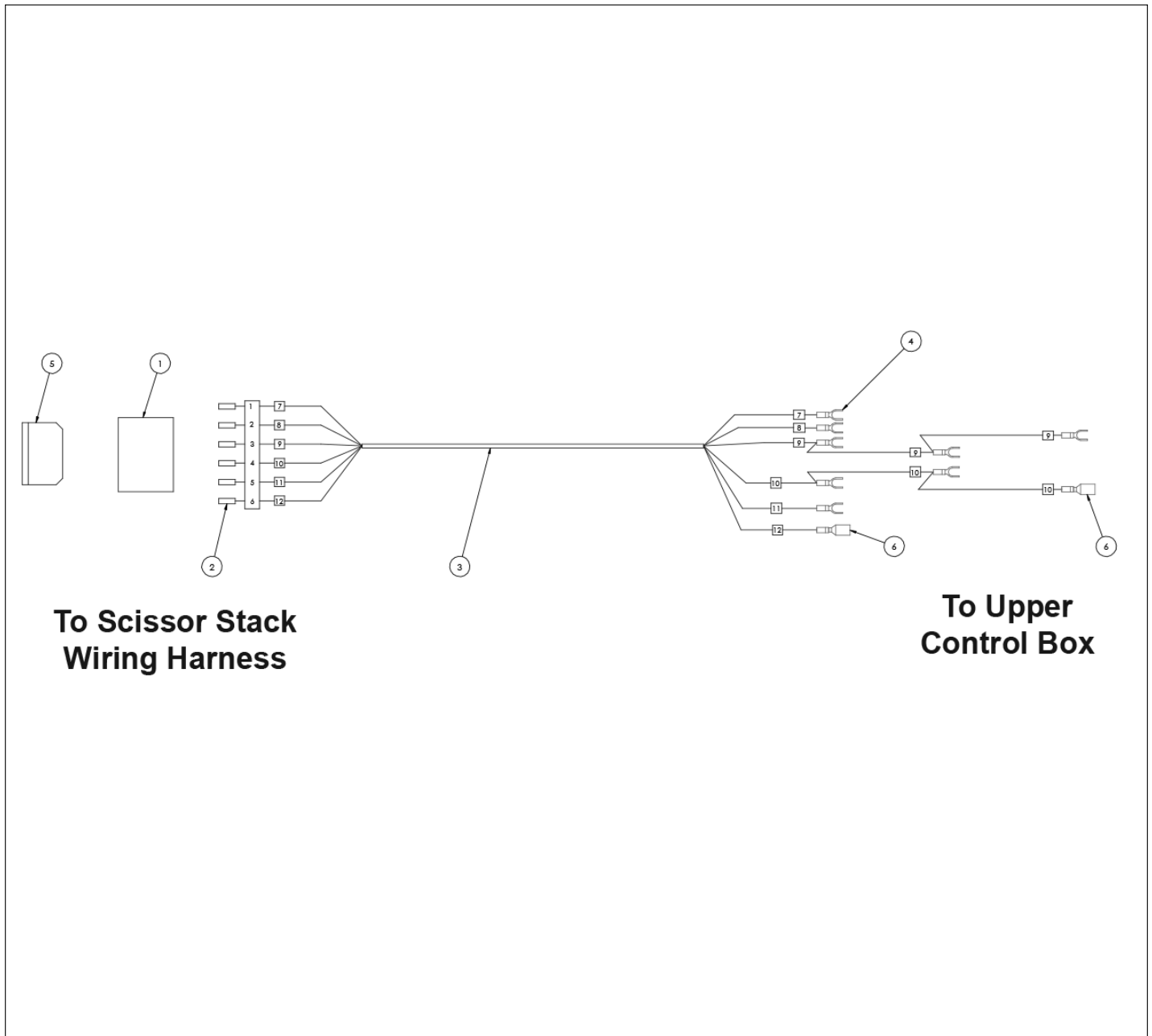
アイテム	部品番号	名前	数量	UOM
1	PNNA	SCISSOR STACK – REFERENCE	1	EA
2	0120612	BLOCK SLIDE	2	EA
3	5592007	SNAP RING EXT 20MM	2	EA
4	5560595	SHCS M10X1.5X20 G8.8ISO 4762	2	EA
5	0120774	PIN	2	EA
6	5560727	NUT HEX LKG M8 1.25	10	EA
7	5563235	SHCS M8 X 1.25 X 50 G8.8 ISO4762 BLACK OXIDE	8	EA
8	PNNA	PLATFORM –REFERENCE	1	EA
9	513502 000	BLOCK	2	EA

REPAIR PARTS



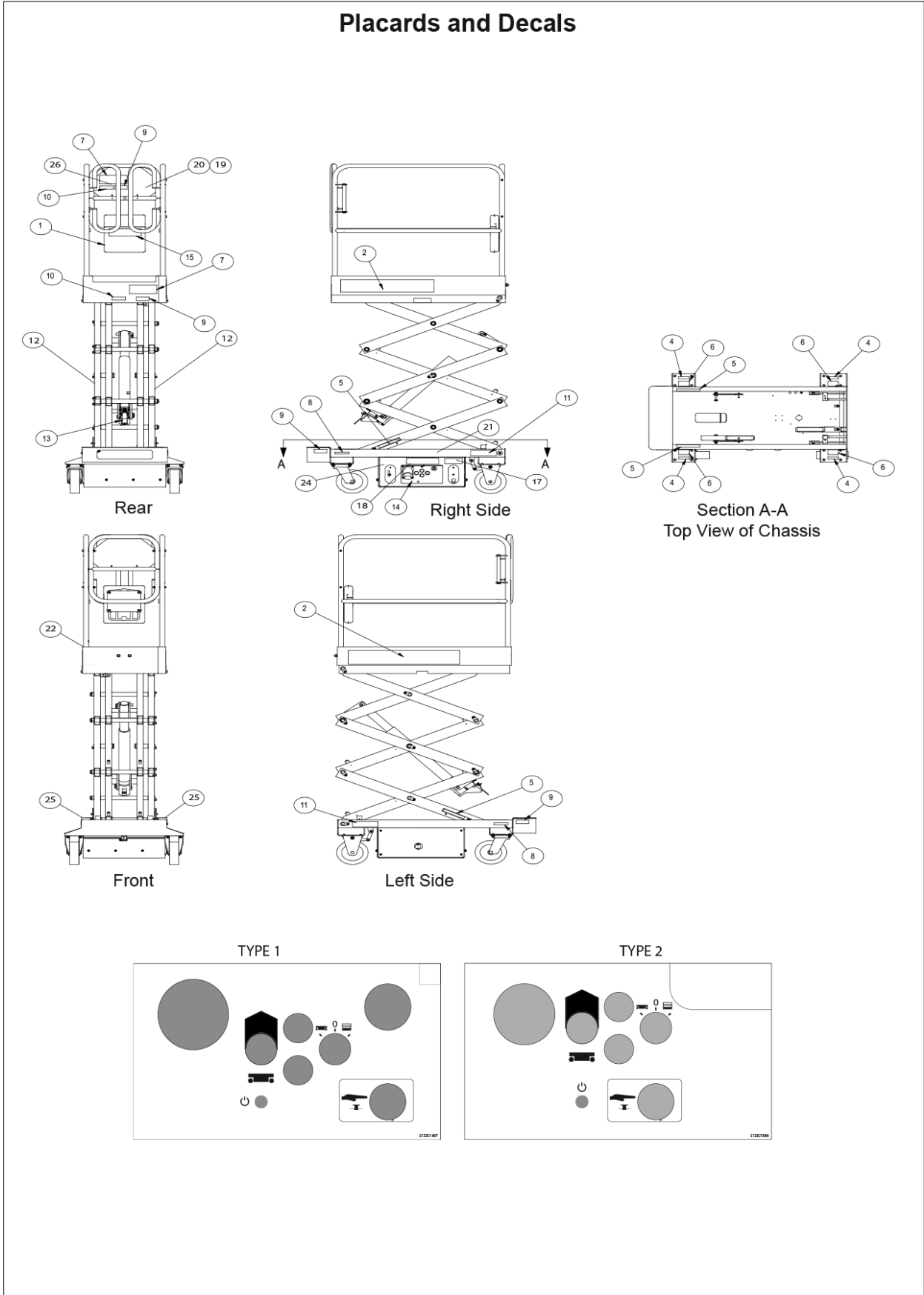
アイテム	部品番号	名前	数量	UOM
1	514646 000	CONTROL PANEL BOX (SEAL STRIP 510645 000)	1	EA
2	514422 000	CONTROL PANEL FACE	1	EA
3	0120803	Raise push button	1	EA
4	0120804	Lower push button	1	EA
5	056069 005	Washer SteelFlatWasher DIN125A	4	EA
6	056021 005	WSHR LOCK M5 DIN 127	4	EA
7	505082 016	Bolt, SktButCapScrew DIN9427 M	4	EA
8	512935 000	LED GREEN 12V	1	EA
9	510542 000	PUSHBUTTON BLACK C/W 1 N/O CON	1	EA
10	3028810	PUSH/PULL EMERGENCY STOP	1	EA
11	0120854	DECAL PLATFORM UP/DOWN	1	EA
12	514041 000	DECAL EMERGENCY STOP	1	EA
13	514423 000	DECAL BATTERY CHARGE INDICATOR	1	EA
14	7030027	DECAL ENSURE BRAKES ARE LOCKED	1	EA
15	510645 000	SEAL	1	EA
16	514424 000	HARNESS, UPPER CONTROLS (Not illustrated)	1	EA

REPAIR PARTS



アイテム	部品番号	名前	数量	UOM
Not Shown	514424 000	HARNESS, UPPER CONTROLS (Not illustrated)	1	EA
1	3220153	PLUG, 6 WAY DEUTSCH	1	EA
2	509540 000	SOCKET CONTACT 16 DEUTSCH	6	EA
3	REF	CABLE, 6 COND 18 GA		EA
4	510174 000	FORK TERMINAL RED	8	EA
5	3049860	LOCK WEDGE 6 PIN DEUTSCH PLUG	1	EA
6	510149 000	SPADE TERMINAL RED, 2.8MM	1	EA

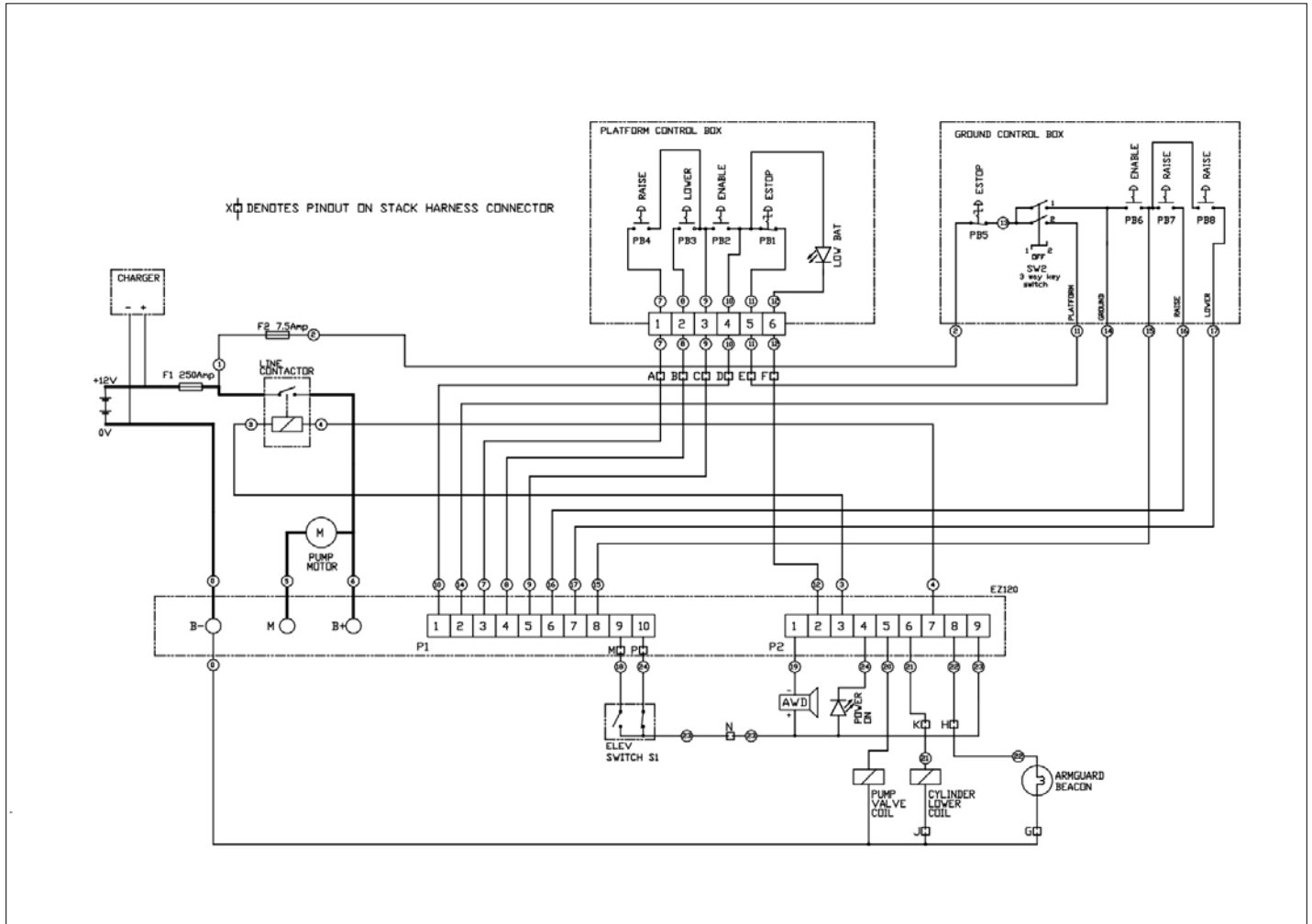
REPAIR PARTS



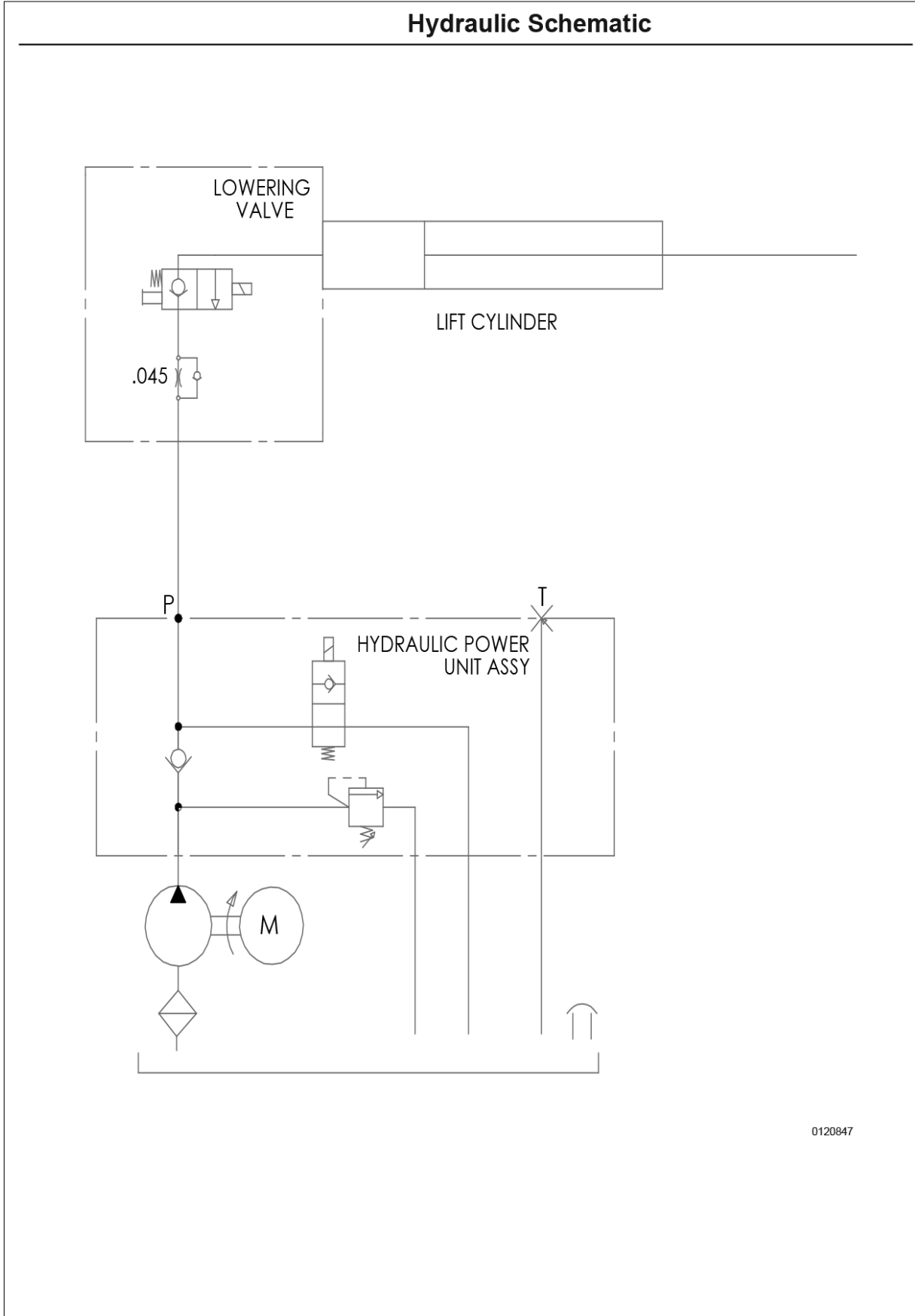
アイテム	部品番号	名前	数量	UOM
1	0120843	COMPARTMENT LITERATURE	1	EA
4	7030026	DECAL FORKLIFT POINT	4	EA
5	7030018	DECAL MAINTENANCE PROP	2	EA
6	514043 000	DECAL MAXIMUM WHEEL LOAD S3006P	4	EA
	514044 000	DECAL MAXIMUM WHEEL LOAD S3008P	4	EA
	514045 000	DECAL MAXIMUM WHEEL LOAD S3010P	4	EA
7	7030034	DECAL SAFE WORKING LOAD S3006P,S3008P,S3010P(CE)	1	EA
	514286 000	DECAL SAFE WORKING LOAD S3006P (ANSI)	1	EA
	514286 101	DECAL SAFE WORKING LOAD S3008P (ANSI)	1	EA
	514286 100	DECAL SAFE WORKING LOAD S3010P (ANSI)	1	EA
8	7030027	DECAL ENSURE BRAKES ARE LOCKED	2	EA
9	7030017	DECAL INDOOR USE ONLY	4	EA
10	7030019	DECAL FULLY READ OPERATORS MANUAL	2	EA
11	514692 000	DECAL S3006P	2	EA
	514693 000	DECAL S3008P	2	EA
	514694 000	DECAL S3010P	2	EA
12	514191 010	DECAL DNG, SAFETY PROP	2	EA
13	510280 001	DECAL, IPAf EMERG LWR	1	EA
14	512257 007	DECAL LOWER CONTROLS (TYPE 1, SEE PAGE 27)	1	EA
	512257 006	DECAL LOWER CONTROLS (TYPE 2, SEE PAGE 27)	1	EA
15	010076 901	DECAL SNORKEL LOGO, 183MM CAP	1	EA
17	512468 000	DECAL DO NOT JETWASH	1	EA
18	120855	DECAL EMERGENCY STOP	1	EA

アイテム	部品番号	名前	数量	UOM
19	514423 000	DECAL BATTERY CHARGE INDICATOR	1	EA
20	128854	DECAL CONTROL	1	EA
21	066556 900	Risk from above	2	EA
22	068635 001	Harness anchor point	1	EA
24	510869 000	DECAL CE LOGO	1	EA
25	514656 000	DECAL SHEAR HAZARD	1	EA
26	512256 000	DECAL ENABLE NOTICE	1	EA

REPAIR PARTS



REPAIR PARTS



0120847

A	TRAY WIRING HARNESS (before SN PUSH10-01-xxxx002546,PUSH8-01-xxxx000419,PUSH6-01-xxxx00095)	2-3
ADDITIONAL FIXINGS LIST		2-10
CHASSIS		2-1
ELECTRICAL SCHEMATIC	UPPER CONTROL BOX	2-19 / 2-16
GENERAL INFORMATION	UPPER CONTROL BOX WIRING HARNESS	1-1 / 2-17
HYDRAULIC SCHEMATIC		2-20
LIFT CYLINDER		2-8
PLACARDS & DECALS		2-18
PLATFORM AUS - FROM SERIAL No. PUSH6(N/A), PUSH8-01-000636, PUSH10-01-000312, S3006P(N/A), S3008P-01-XXXX0231, S3010P-01-XXXX00559		2-14
PLATFORM AUS - TO SERIAL No. PUSH6(N/A), PUSH8-01-000635, PUSH10-01-000311		2-13
PLATFORM CE		2-12
PLATFORM MOUNTING		2-15
POWER PACK (AFTER SN PUSH10-01-000611, PUSH8-01-000855, PUSH6-01-00520 TO PUSH10-01-XXXX002546,PUSH8-01-XXXX0000419,PUSH6-01-XXXX00095) ..		2-6
POWER PACK 515840-000 (AFTER SN PUSH10-01-xxxx002547,PUSH8-01-xxxx000420,PUSH6-01-xxxx00096)		2-7
POWER PACK BEFORE SN PUSH10-01-000610,PUSH8-01-000854,PUSH6-01-00519)		2-5
SCISSOR STACK WIRING HARNESS ...		2-11
SCISSOR STACK – S3006P, S3008P, S3010P		2-9
TRAY		2-2
TRAY WIRING HARNESS (AFTER SN PUSH10-01-xxxx002547,PUSH8-01-xxxx000420,PUSH6-01-xxxx00096)		2-4

B		0120668	2-1
003570-005	2-2	0120670	2-1
010076-000	2-12	0120671	2-1
010076-901	2-18	0120675	2-1
0120492	2-12	0120676	2-1
0120498	2-12	0120680	2-1
0120505	2-12	0120682	2-1
0120519	2-9	0120751	2-1
0120525	2-9	0120774	2-15
0120539	2-9	0120786	2-9
0120548	2-9	0120801	2-2
0120549	2-9	0120803	2-2, 2-4, 2-16
0120553	2-9	0120804	2-2, 2-4, 2-16
0120554	2-9	0120806	2-1
0120557	2-9, 2-9	0120807	2-1
0120559	2-9	0120808	2-1
0120560	2-1, 2-9, 2-9	0120811	2-8
0120595	2-9	0120811/SK	2-8
0120598	2-9	0120812	2-8, 2-9
0120601	2-9	0120820	2-9
0120602	2-9	0120825	2-12, 2-13, 2-14
0120603	2-9	0120827	2-2
0120606	2-9	0120834	2-2
0120609	2-9	0120843	2-18
0120612	2-9, 2-9, 2-15	0120854	2-16
0120616	2-9, 2-9	0120878	2-2
0120618	2-9	056021-005	2-16
0120619	2-9	056021-006	2-13, 2-14
0120621	2-9	056021-008	2-12
0120658	2-8, 2-9	056066-005	2-9
0120660	2-9	056069-005	2-9, 2-16
0120663	2-1	056069-006	2-9, 2-13, 2-14
0120664	2-1	058491-016	2-13
0120667	2-1	058491-050	2-14

058492-016	2-12	505082-016	2-16
058500-010	2-1	505082-025	2-9
058501-016	2-1	508637-000	2-9
058501-040	2-9	509539-000	2-3, 2-4, 2-11
058503-025	2-1	509540-000	2-11, 2-17
058503-045	2-12	509740-003	2-3, 2-4
066556-900	2-18	509741-000	2-3, 2-4
068635-001	2-18	509755-000	2-3, 2-4
107080-000	2-1	510130-000	2-3
107080-001	2-1	510133-000	2-3
11691-10	2-13	510141-000	2-3, 2-4
120855	2-18	510143-000	2-11
128854	2-18	510148-000	2-3, 2-4
2509722	2-8	510149-000	2-3, 2-4, 2-17
2509723	2-1, 2-9, 2-9	510152-00	2-1
2509724	2-9, 2-9	510156-000	2-3, 2-4
3028810	2-16	510157-000	2-3, 2-4
3040268	2-2	510174-000	2-3, 2-4, 2-17
3049860	2-17	510280-001	2-18
3049886	2-11	510437-000	2-5, 2-6
3050002	2-2	510524-000	2-2, 2-4
3069521	2-2	510527-000	2-2
3069542	2-2	510542-000	2-2, 2-4, 2-16
3220141	2-1, 2-12, 2-13	510645-000	2-16
3220152	2-11	510869-000	2-18
3220153	2-17	512256-000	2-18
446076	2-2	512257-006	2-18
446086	2-2	512257-007	2-18
500595-020	2-12	512257-008	2-2
501056-000	2-13, 2-14	512329-000	2-1
501253-012	2-9	512346-006	2-14
501257-000	2-9	512346-008	2-12
502588-000	2-2, 2-4	512370-000	2-8
504705-001	2-6	512371-000	2-8

512372-000	2-8	514021-001	2-5, 2-6
512373-001	2-8	514021-002	2-5, 2-6
512468-000	2-18	514021-003	2-5, 2-6
512543-000	2-2, 2-4	514021-004	2-5, 2-6
512898-000	2-12	514021-007	2-5, 2-6
512899-000	2-12, 2-13, 2-14	514021-008	2-5, 2-6
512900-000	2-12	514021-009	2-5, 2-6
512907-000	2-2	514021-010	2-5, 2-6
512931-000	2-9	514021-014	2-5, 2-6
512935-000	2-2, 2-16	514030-000	2-9
512956-000	2-1	514041-000	2-16
513031-000	2-9	514043-000	2-18
513058-000	2-8	514044-000	2-18
513058-010	2-8	514045-000	2-18
513063-000	2-8	514191-010	2-18
513063-000/SK	2-8	514205-000	2-11
513064-000	2-8	514206-000	2-11
513064-000/SK	2-8	514207-000	2-11, 2-11, 2-11
513065-000	2-9	514220-000	2-4
513086-000	2-4	514280-000	2-12
513090-000	2-3, 2-4	514286-000	2-18
513242-000	2-1	514286-100	2-18
513244-000	2-11	514286-101	2-18
513245-000	2-3, 2-4	514329-000	2-2
513408-000	2-2, 2-5	514377-000	2-13, 2-14
513408-001	2-5, 2-6	514378-000	2-13
513408-002	2-5	514379-000	2-13, 2-14
513408-003	2-5, 2-6	514380-000	2-9
513502-000	2-12, 2-15	514404-000	2-1
513707-000	2-9	514416-000	2-4
513708-000	2-9	514417-000	2-1
513818-000	2-8, 2-9	514418-000	2-11
513997-000	2-3, 2-4	514419-000	2-1, 2-2
514018-000	2-2, 2-5, 2-6	514420-000	2-11

514421-000	2-11	5560595	2-15
514422-000	2-16	5560613	2-1
514423-000	2-16, 2-18	5560628	2-9
514424-000	2-16, 2-17	5560629	2-1
514642-000	2-2	5560634	2-9
514646-000	2-16	5560664	2-1, 2-2, 2-9
514647-000	2-9	5560672	2-9
514648-000	2-12, 2-13, 2-14	5560690	2-2
514656-000	2-18	5560719	2-1, 2-9
514662-000	2-1	5560727	2-1, 2-9, 2-12, 2-15
514692-000	2-18	5563011	2-2
514693-000	2-18	5563128	2-1, 2-9, 2-9
514694-000	2-18	5563131	2-2
514705-000	2-2, 2-6	5563235	2-15
514806-010	2-8	5563237	2-9
514807-010	2-8	5563240	2-9, 2-9
514854-000	2-13, 2-14	5563241	2-9
515061-000	2-14	5563245	2-2, 2-9
515062-000	2-14	5563247	2-9, 2-9
515107-000	2-2	5563248	2-2
515155-001	2-2	5563250	2-1
515447-000	2-14	5563251	2-12
515447-000-SK	2-14	5563260	2-1
515448-000	2-14	5563263	2-1
515504-000	2-2	5563267	2-1
515840-000	2-7	5563279	2-1
5534378	2-1	5563297	2-1
5554375	2-1	5569887	2-2
5560023	2-9	5592001	2-12
5560034	2-9	5592007	2-9, 2-9, 2-15
5560355	2-1, 2-9, 2-9	5592008	2-9
5560356	2-1, 2-2	6091348	2-8
5560357	2-1	6091652	2-7
5560364	2-1, 2-2, 2-9	7030017	2-18

7030018	2-18
7030019	2-18
7030026	2-18
7030027	2-16, 2-18
7030034	2-18
972019	2-2
PART NO.	2-4